

***FENIX** Classique*

Team Lotus 49

***FENIX** Classique*

Team Lotus type 49

Manual Rev. 0.3

September 2019

Approved and licensed by Classic Team Lotus Ltd
www.classicteamlotus.co.uk



“CLASSIQUE” is a high-competition, high-quality, 1/10-scale model car intended for persons aged 16 years and older with previous experience building and operating RC model racing cars. This is not a toy; it is a precision racing model. This model racing car is not intended for use by beginners, inexperienced customers, or inexperienced racers or by children without direct supervision of a responsible, knowledgeable adult. Before building and operating your “CLASSIQUE”, YOU MUST read through all of the operating instructions and instruction manual and fully understand them to get the maximum enjoyment and prevent unnecessary damage. Read carefully and fully understand the instructions before beginning assembly.

Contents of the box may differ from pictures. In line with our policy of continuous product development, the exact specifications of the kit may vary without prior notice.

Take appropriate safety precautions prior to operating this model. You are responsible for this model’s assembly and safe operation! Please read the instruction manual before building and operating this model and follow all safety precautions

IMPORTANT NOTES – GENERAL

- This product is not suitable for children under 16 years of age without the direct supervision of a responsible and knowledgeable adult.
 - Carefully read all manufacturers warnings and cautions for any parts used in the construction and use of your model.
 - Assemble this kit only in places away from the reach of very small children.
 - First-time builders and users should seek advice from people who have building experience in order to assemble the model correctly and to allow the model to reach its performance potential.
 - Exercise care when using tools and sharp instruments.
 - Take care when building, as some parts may have sharp edges.
 - Keep small parts out of reach of small children. Children must not be allowed to put any parts in their mouth, or pull vinyl bag over their head.
 - Read and follow instructions supplied with paints and/or cement, if used (not included in kit).
 - Immediately after using your model, do NOT touch equipment on the model such as the motor and speed controller, because they generate high temperatures. You may seriously burn yourself seriously touching them.
 - Follow the operating instructions for the radio equipment at all times.
 - Do not put fingers or any objects inside rotating and moving parts, as this may cause damage or serious injury as your finger, hair, clothes, etc. may get caught.
 - Be sure that your operating frequency is clear before turning on or running your model, and never share the same frequency with somebody else at the same time. Ensure that others are aware of the operating frequency you are using and when you are using it.
 - Use a transmitter designed for ground use with RC cars. Make sure that no one else is using the same frequency as yours in your operating area. Using the same frequency at the same time, whether it is driving, flying or sailing, can cause loss of control of the RC model, resulting in a serious accident.
 - Always turn on your transmitter before you turn on the receiver in the car. Always turn off the receiver before turning your transmitter off.
 - Keep the wheels of the model off the ground when checking the operation of the radio equipment.
 - Disconnect the battery pack before storing your model.
 - When learning to operate your model, go to an area that has no obstacles that can damage your model if your model suffers a collision.
 - Remove any sand, mud, dirt, grass or water before putting your model away.
 - If the model behaves strangely, immediately stop the model, check and clear the problem.
 - To prevent any serious personal injury and/or damage to property, be responsible when operating all remote controlled models.
 - The model car is not intended for use on public places and roads or areas where its operation can conflict with or disrupt pedestrian or vehicular traffic.
 - Because the model car is controlled by radio, it is subject to radio interference from many sources that are beyond your control. Since radio interference can cause momentary loss of control, always allow a safety margin in all directions around the model in order to prevent collisions.
 - Do not use your model:
 - Near real cars, animals, or people that are unaware that an RC car is being driven.
 - In places where children and people gather
 - In residential districts and parks
 - In limited indoor spaces
 - In wet conditions
 - In the street
 - In areas where loud noises can disturb others, such as hospitals and residential areas.
 - At night or anytime your line of sight to the model may be obstructed or impaired in any way.
- To prevent any serious personal injury and/or damage to property, please be responsible when operating all remote controlled models.

Failure to follow these instructions will be considered as abuse and/or neglect.

We have made every effort to make these instructions as easy to understand as possible.

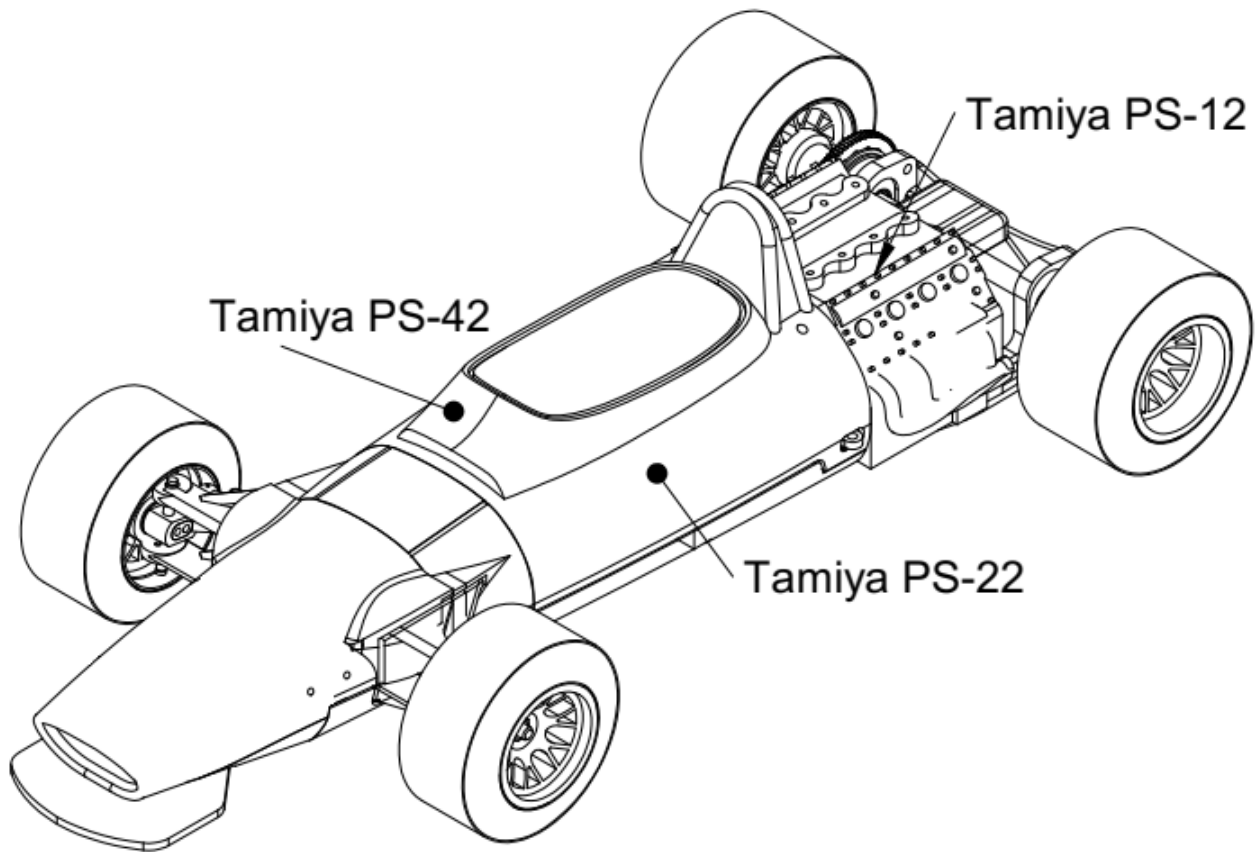
However, if you have any difficulties, problems, or questions, please do not hesitate to

contact the Fenix support team at racing@fenixwaterjet.com . Also, please visit our Web site

at www.fenix-racing.com or www.fenixracingshop.com or <https://www.facebook.com/FenixRacing.it/>

the latest updates, set-up information, option parts, and many other goodies. We pride ourselves on taking excellent care of our customers.

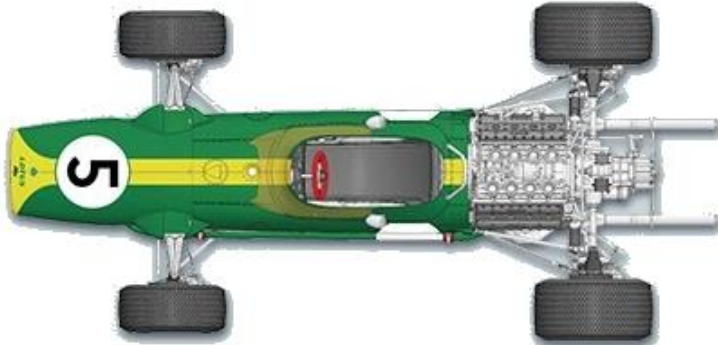
Please note. *Classique* is not the usual rc model car. The assembly procedure, although very simple, is a little unusual, being the body “part” of the car.
So, please, read the manual before start the assembly. Body should be painted before the installation.



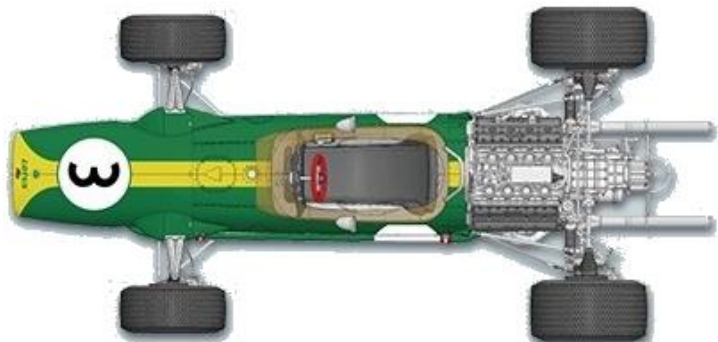
Best solution for painting the Classic Team Lotus 49, is rely over Lexan Tamiya PS- colours. As usual, wash the body with warm water, using a drop of dish soap.
Remind to paint darker colours first, and clear colours later. Best is start with the chassis area. A good masking tape like Tamiya 87034 will help you.
The iconic yellow stripe is provided in the decal sheet, so you can just paint the body using the Tamiya PS22 Racing green. Remember to mask the body cowl, later you can choose to leave it clear or paint it with a transparent yellow such as the Tamiya PS42.



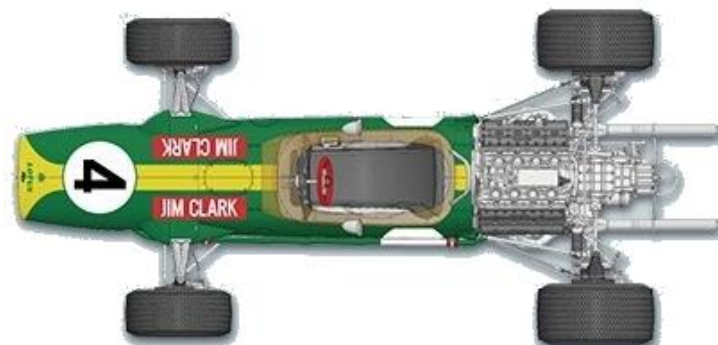
1967 Dutch GP
5 J. Clark
6 G. Hill



1967 German GP
3 J. Clark
4 G. Hill

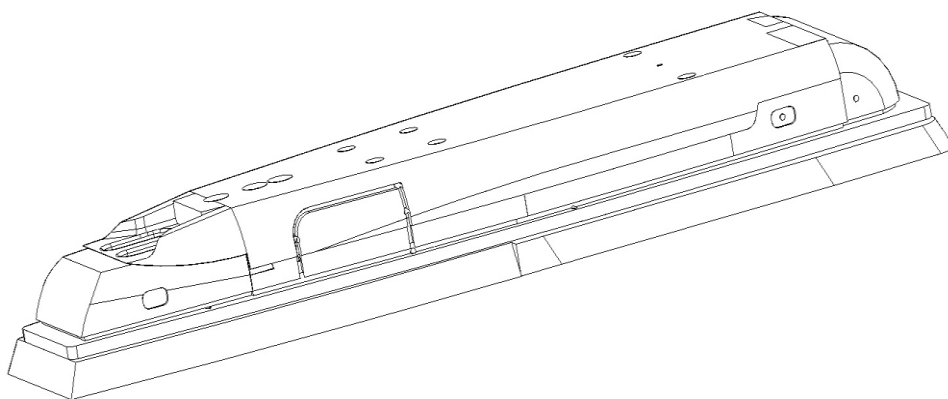


1968 South African GP
3 J. Clark
4 G. Hill

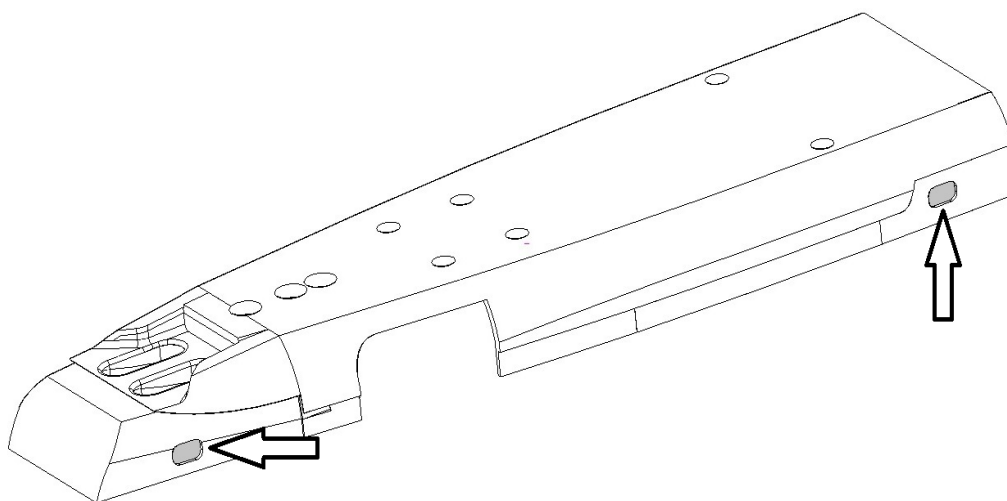


Lower body preparation

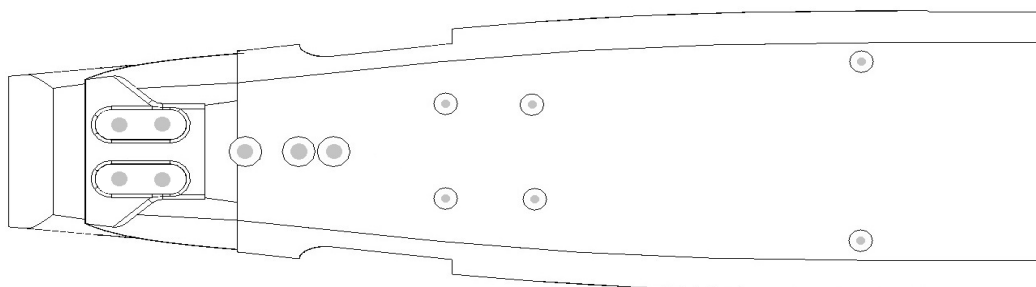
Let's start with lower part of the body

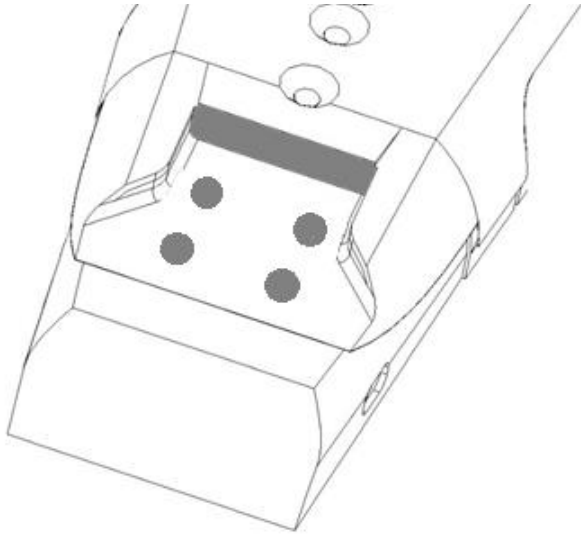


Cut as shown – Open the grey holes

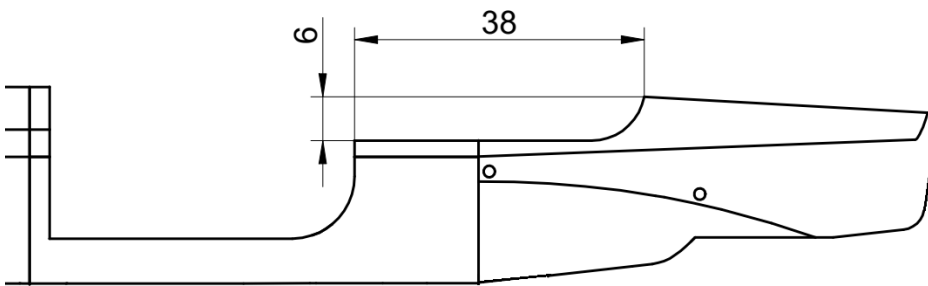


Drill the grey holes - Open the grey area

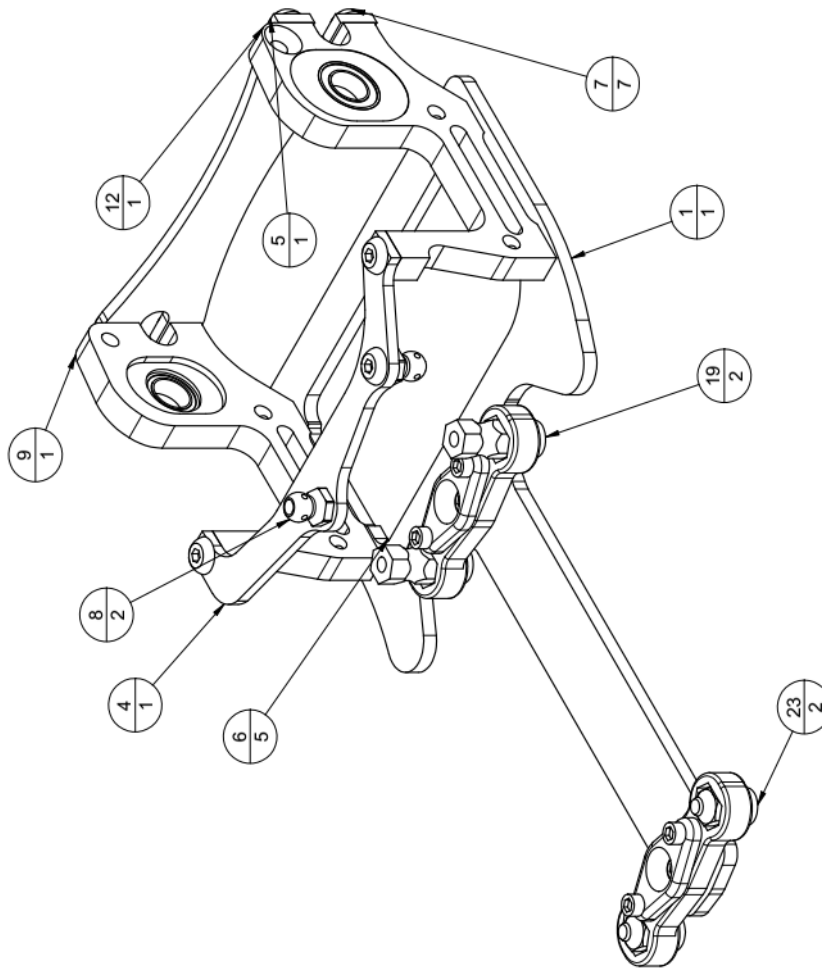




Open the grey rectangle.
You might want to paint the lower body in this moment.



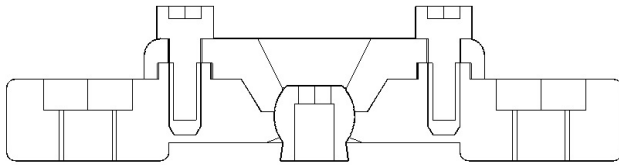
Cut a portion of the lower body as shown.



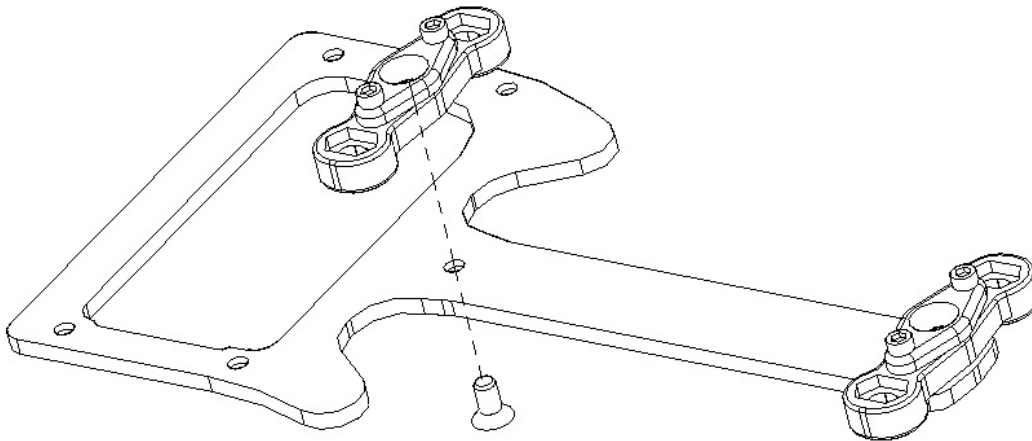
Item	CPN	Description	QTY
1	HS3	Tbar Classique	1
4	HS4-shock	HS4 - SHOCK HOLDER	1
5	HS7	Rear brace	1
6	HW012	Screw - M3*6 - Hexagon Socket Countersunk	5
7	HW008	Screw - M3*6 - Hexagon Socket Button	7
8	FX-FU48	uniball 6,6	2
9	FX050-A	MOTOR HOLDER - A	1
10*	FX0048	Ride height adjuster - (for FX050 motor holder)	2
11*	FX14-38	Ball Bearing Flanged 3/8"x1/4"	2
12	FX050-B	MOTOR HOLDER B	1
13*	FX022	Suspension Sphere - link	2
14*	FX0015	Side link kit - Pivot	1
15*	FX0015	Side link kit - cover	1
16*	HW014	Screw - M2*6 - Hexagon Socket Cylinder	4
17*	FX1045	10mm Alu post	2
18*	HW012	Screw - M3*6 - Hexagon Socket Countersunk	2
19	HW004	Screw - M3*10 - Hexagon Socket Countersunk	2
20*	FX0015	Side link kit - Pivot	1
21*	FX0015	Side link kit - cover	1
22*	HW027	M3 nut - standard	2
23	HW004	Screw - M3*10 - Hexagon Socket Countersunk	2

Make 2 sets
Note: Put a drop of oil over the sphere and carefully tight the M2x6 screws. The sphere should move easily, but w/o too much play.

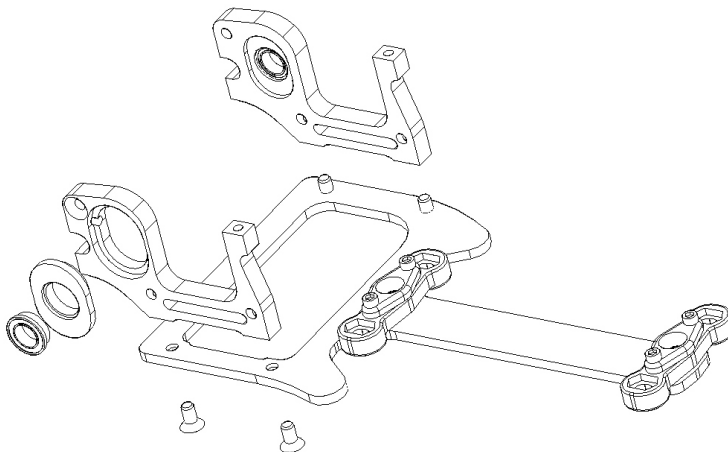
Use 2 x HW0014
M2x 6 screws and
1 x FX002 sphere



Using 2 x HW012
M3 x 6 counter
sunk screws, fix
the 2 pivot group
to the T-bar.

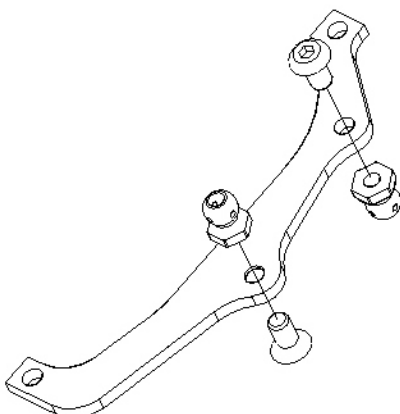


Using 4 x HW012
fix the 2 motor
holders to the T-
bar. Once done,
insert the 2 ride
height adjuster
into the slot (use
always the same
number 0-0 or 1-1
etc).



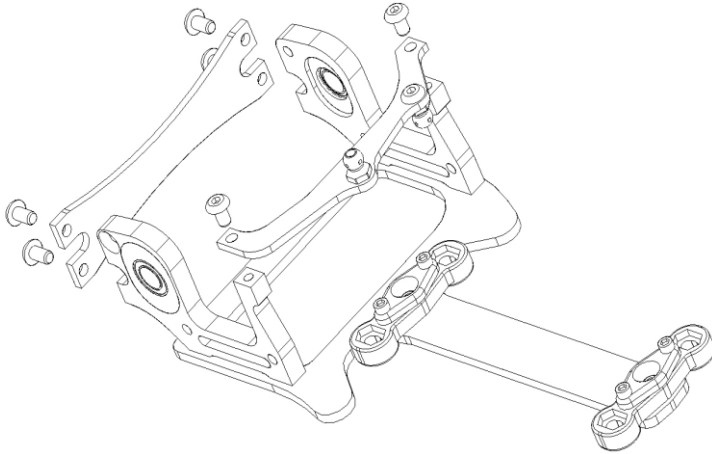
Insert the 2
flanged bearing in
the ride height
adjuster.

Using 1 x HW012,
fix 1 FU-FX48
uniball in the
centre hole, using
1 HW008 M3x6
button screw, fix
the other uniball



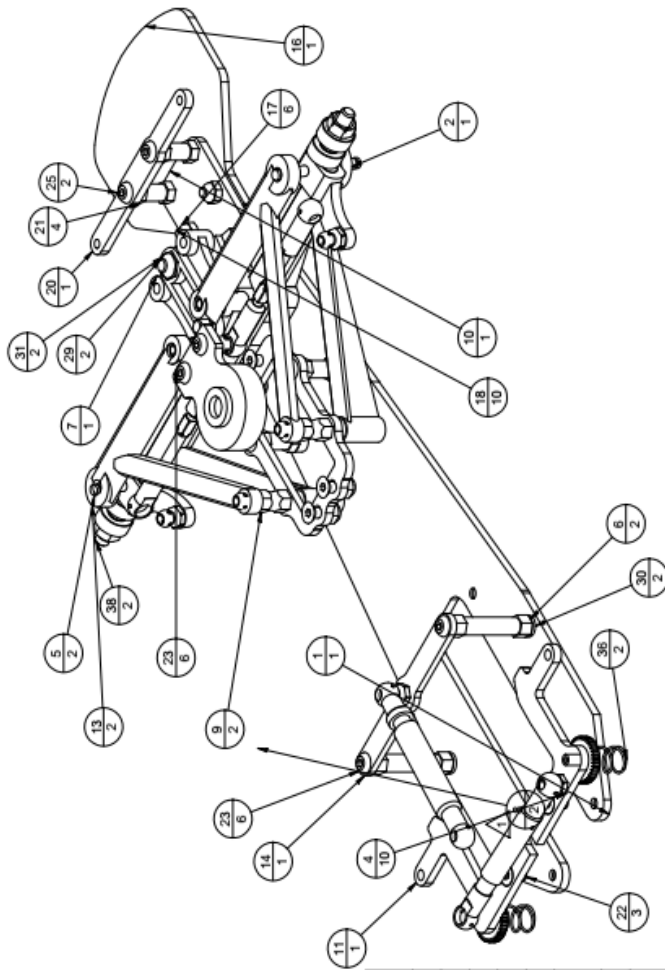
FETIX Classique

Team Lotus 49

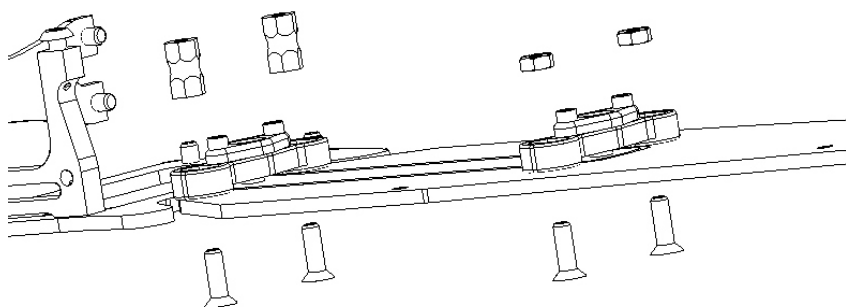


Using 6 x HW008
fix as show the
shock holder and
the rear brace.

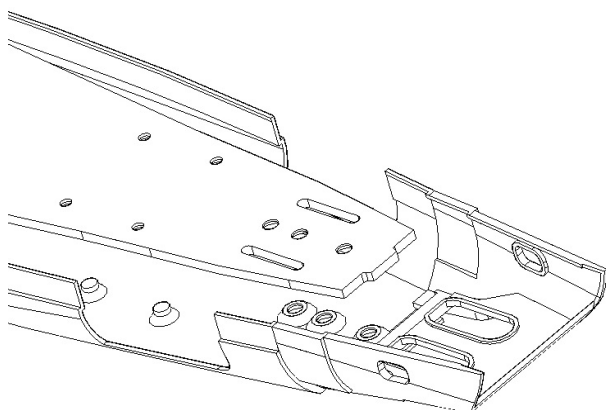
Note: Keep the
remaining parts
from Bag A for a
later use.



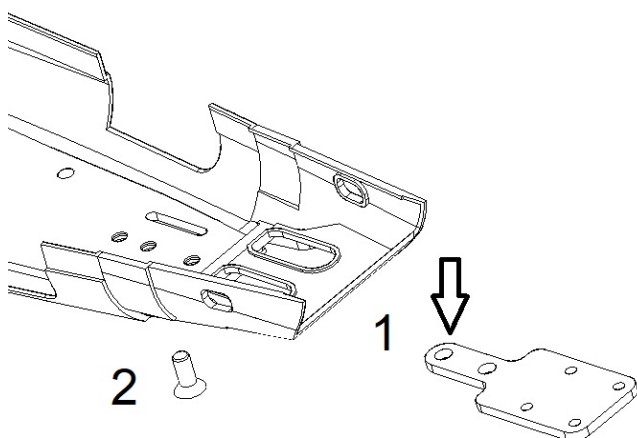
ITE	CPN	Description	QTY
M			
1	HS1-SWB	Classique Chassis SWB	1
2	51381-A	Lower Arm F104	1
4	FX-FU48	uniball 6,6	10
5	19808241	Kingpin	2
6	FX0054	Post 26mm	2
7	51381B	Central element F104	1
8	51381C	Distanziale sosp F104	2
9	FX1045	10mm Alu post	2
10	HS8	Bumper holder	1
11	HS7	Rear Battery Holder	1
13	51381D	Susp Arm F104	2
14	HS5	Central shock	1
16	HS9	Bumper 2	1
17	HW002	M3 Self locking nut - standard	6
18	HW004	Screw - M3*10 - Hex Socket Countersunk	10
19*	HW032	Grub screw M3*10	4
20	HS10	Front body holder	1
21	FX0052	12mm Alu post	4
22	HW012	Screw - M3*6 - Hex Socket Countersunk	3
23	HW003	Screw - M3*8 - Hex Socket Button	6
24*	HW024	Screw - M3 x 25 - Hex Socket Countersunk	2
25	HW008	Screw - M3*6 - Hex Socket Button	2
26*	HW026	Screw - M3 x 12 - Hex Socket Countersunk	2
27*	HW006	Self locking nut M4 - standard	3
28*	HW033	Screw - M4 x 10 - Hex Socket Countersunk	1
29	HW021	Screw - M4 x 35 - Hex Socket Countersunk	2
30	FX0023	Alu Shim 1mm	2
31	HW028	M4 nut - standard	2
32*	HS2	Servo holder	1
33*	FX02009	Alu Shim 2mm	2
34*	FX0074	Alu Shim 3mm	2
ITE			
M			
35*	FX0015	Side Link kit - spring holder	2
36	FX0033	Side spring	2
37*	HW013	Grub screw M3*8	2
38	FX0017	Fenix Steering upright	2
39*	FX0017-A	Fenix Steering upright - Plastic spare	2
41*	Kimbroug h	salvaservo Kimbrough	1
42*	FX0037	Ball Joint	4
43*	FX0026-T	Mistral front turnbuckle Steering - Titanium	2
44*	FX0042-A	Damper body	1
45*	FX0042-B	Damper Piston	1
46*	HW01??	Grub screw M3*10	1
47*	FX0037	Ball Joint - SHORT	2
48*	FX105	Bearing 10mm* 5mm* 4mm	4
49*	XXXXX	Damper A	1
50*	XXXXX	Damper A	1



Using 4 HW M3 x 10 (from bag A) fix the T-bar group to the main chassis. On the front pivot use the HW027 M3 nut and on the rear pivot the 2 FX1045 10mm posts.

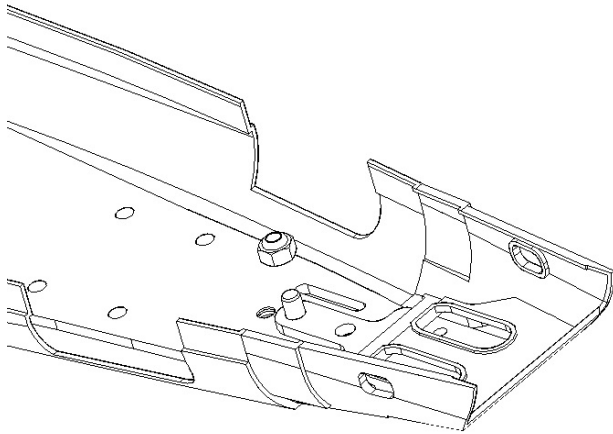


Take the main chassis and the lower body, align the holes.

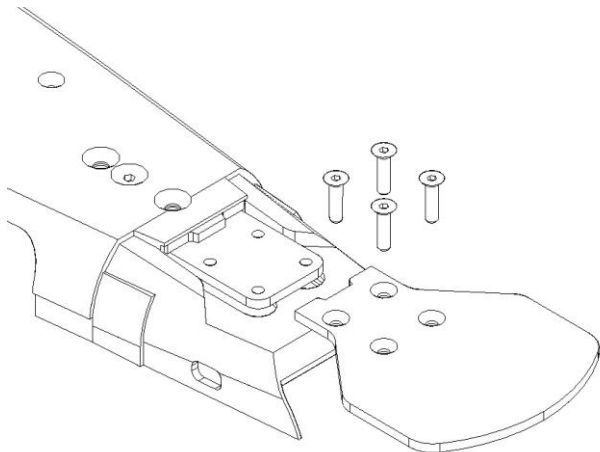


Slide the bumper holder into the body opening – Then insert the M4 x 10 screw

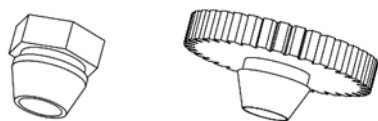
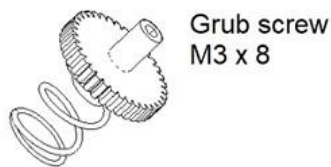
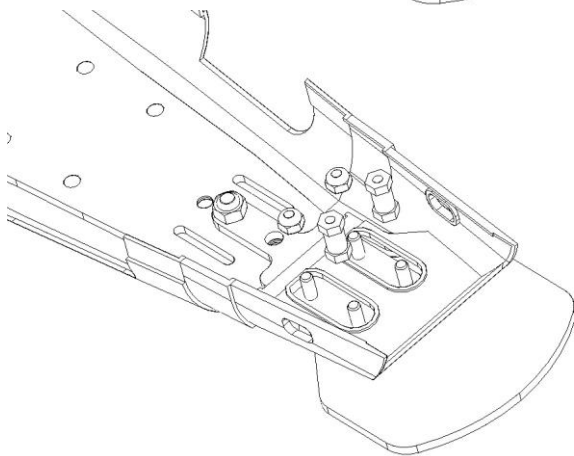
Tight the M4 self-locking nut –
Note: Almost full, the M4 screw should be able to rotate a little



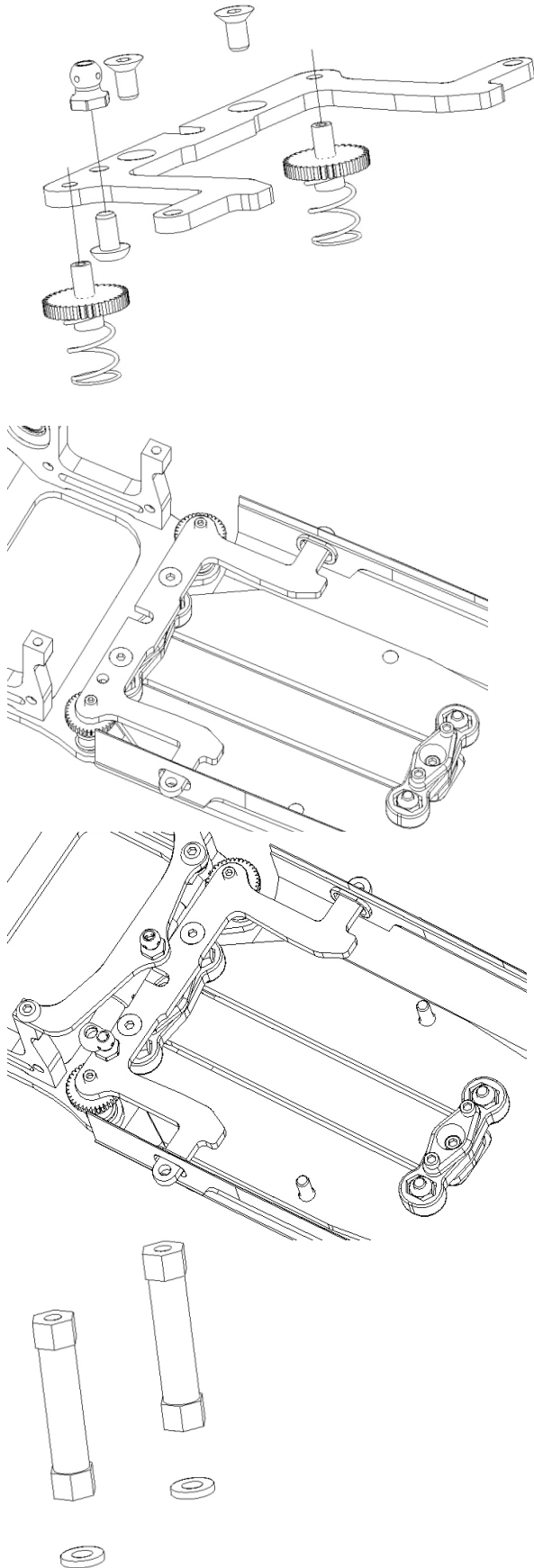
Assembly the bumper with the 4 M3 x 10mm countersunk screws



Tight the 2 M3 self-locking nuts and the 2 x FX0053 posts



Make 2 sets as show. **Note:** spring holder might have 2 different shape. Hex one or round one.



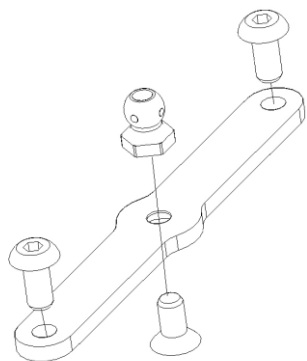
Use special attention when “thread” the grub screw in the carbon fibre, lubricate the grub screw often during the operation and insert it slowly.

Insert the FUFX48 and fix it with 1 x HW008 M3x6 button screw
Slide the HS7 rear battery holder into the body holes and fix it using 2 x HW012.

Note: some parts from previous assembly are omitted for sake of clarity.

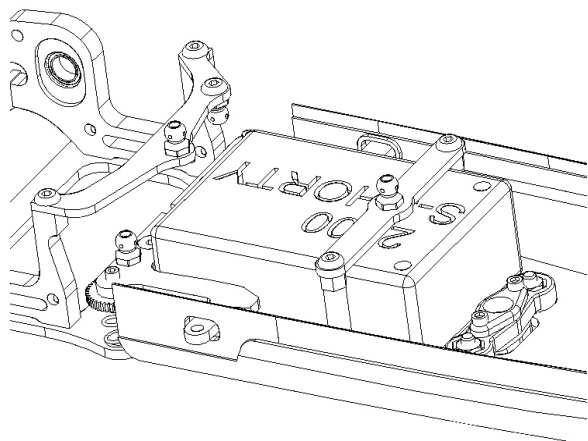
Slide 2 x HW004 M3x10 hex countersunk screw through the holes in the body and in the chassis

Over the screw insert the FX0023 1mm aluminium shim and screw the FX0054 26mm post.



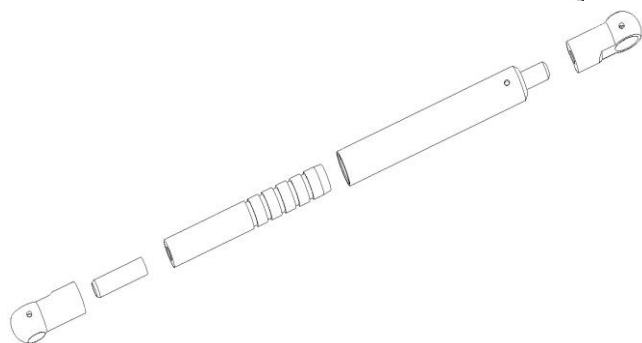
Using 1 x HW0012
fix the FUFX48 at
the HS5 central
shock holder.

Use 2 HW008 M3
x 8 button screw
to fix this group to
the FX0054

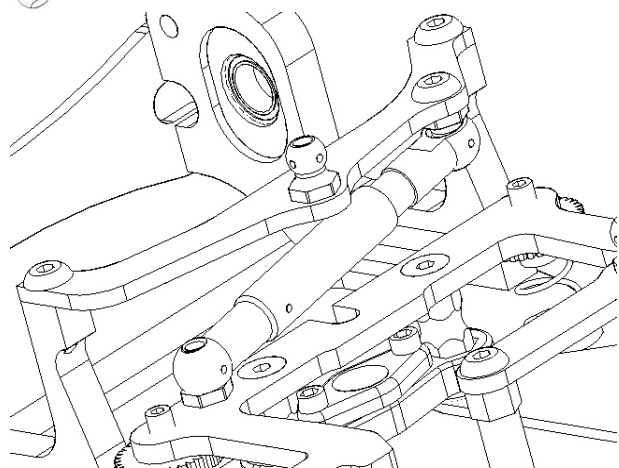


Battery
installation.
This model can
use only "Super
shorty lipo pack"
with a size of 69.2
x 46.8 x 24.9mm

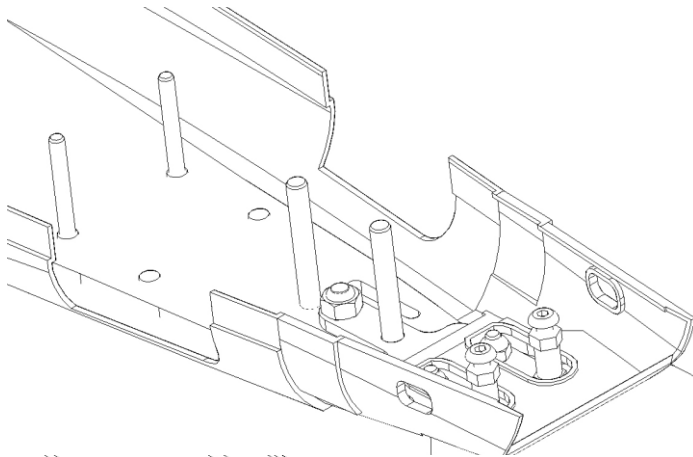
Note: battery not
included



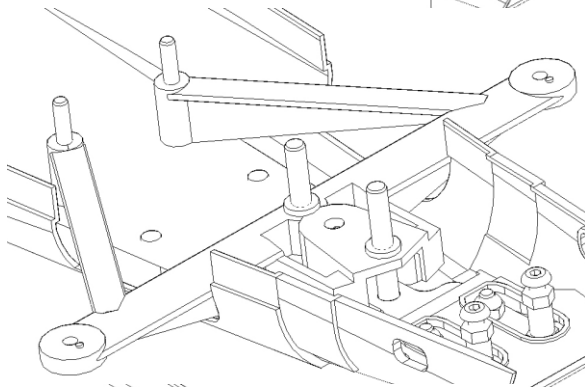
Assembly the side
damper as shown



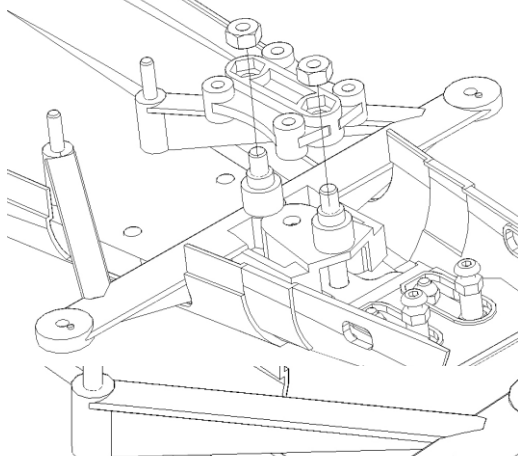
Install the damper
as shown.



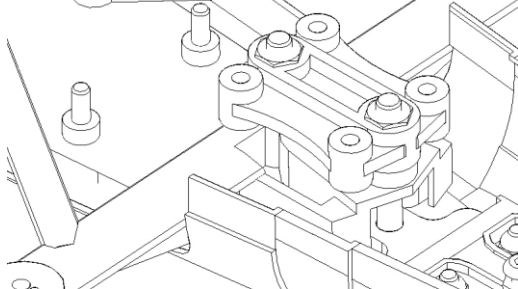
Slide the 2 x HW021 M4 x 35 and the 2 x HW024 M3 x 25 through the lower body and the chassis.



Insert the 51381 lower arms over the screws.



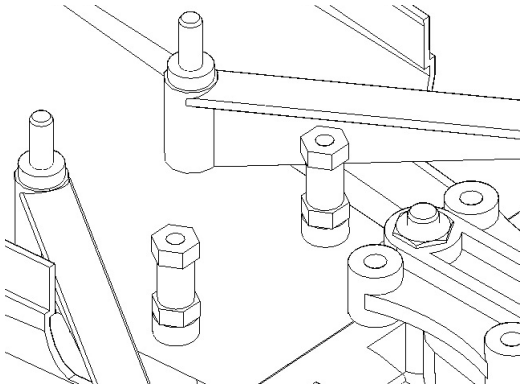
Slide the 51381 spacer and the central element 51831 over the HW021 screws.



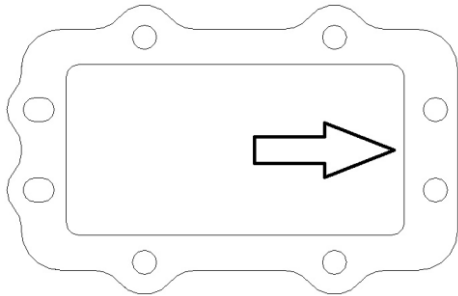
Insert the 2 x HW028 M4 nut into the hex recess and tight the M4 screws.

Slide the 2 x HW026 M3 x 12mm through the lower body and the chassis. Insert the 2 x 3mm FX0074 alu shims over the screw protruding from the chassis.

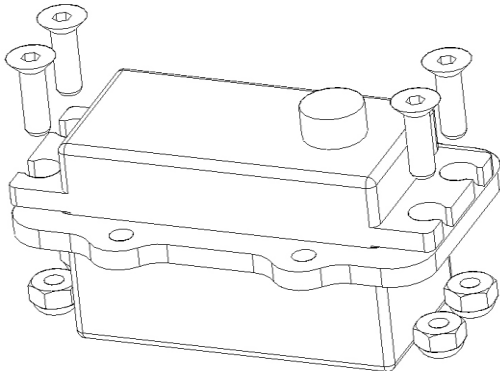
--- NOTE: newer kit are equipped with 15mm posts. So, no 3 mm is required. ---



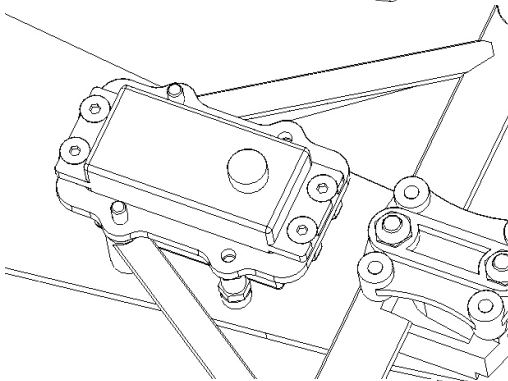
Fix 2 x FX1045 screws and slide 2 x FX02009 2mm alu shims over the HW024.



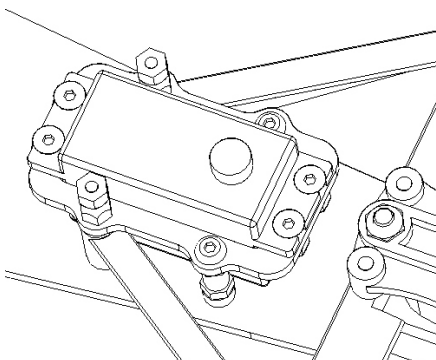
Take the HS2 servo holder.
Note: the flat area goes to the front of the model



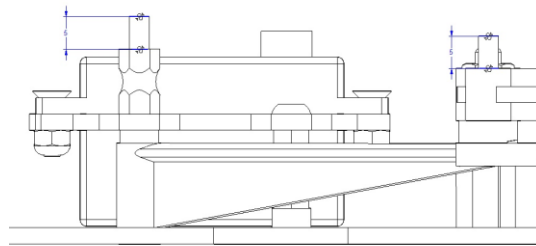
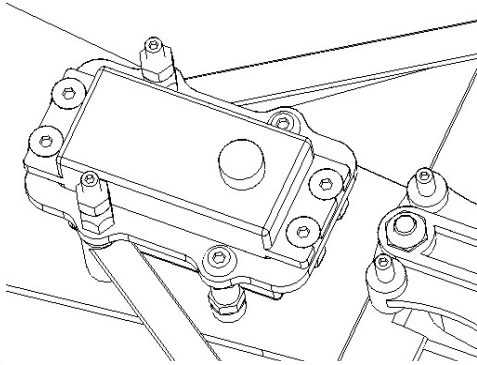
Insert the low profile servo (not included) in the servo holder.
Fix it with using 4 x HW033 screws and 4 HW002 self-locking M3 nut



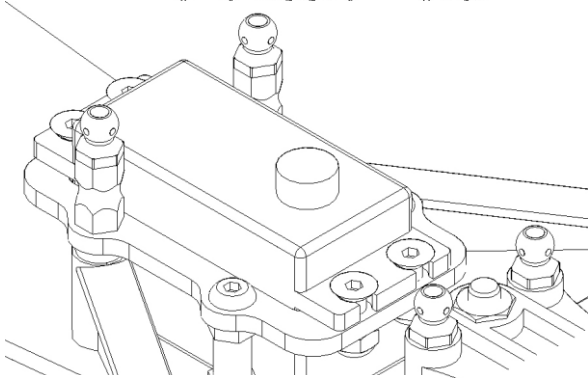
Slide the servo group over the 2 x HW024



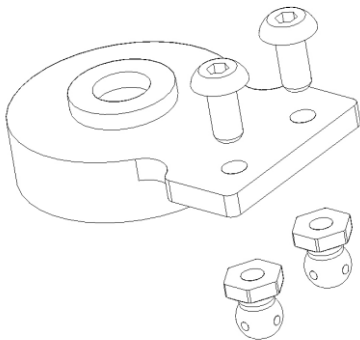
Secure the group using 2 x HW003 and 2 x FX1045 10mm alu post.



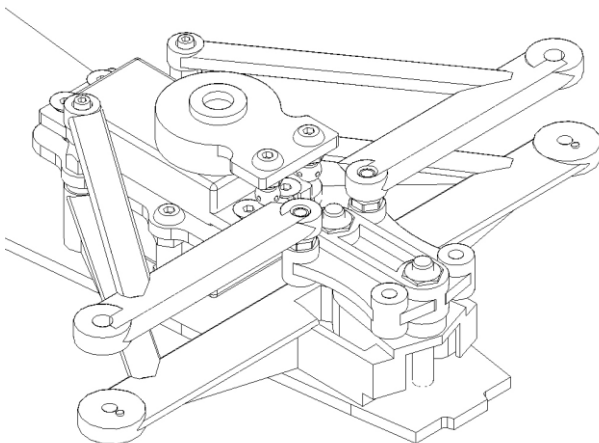
Insert 4 x HW032
M3 x 10 grub
screw as shown.
Leave them
protrude for 5mm



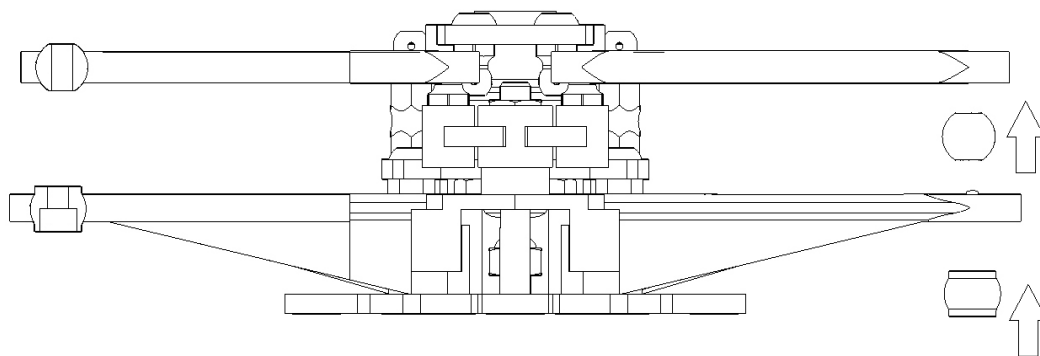
Fix and tight 4 x
FUFX48 over the
protruding part
of the HW032



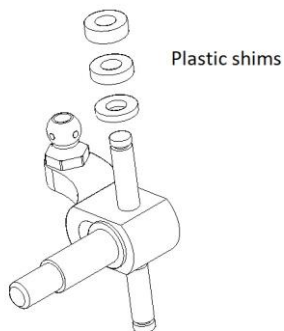
Insert 2 x HW003
into the servo
saver and screw 2
x FUFX48.



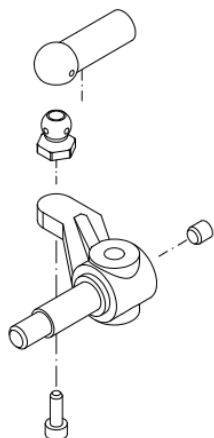
Insert the servo
saver over the
servo (not
included) and fix
it using the proper
screw provided in
the servo box.
Insert the upper
arms into the
FUFX48-
Note: you might
need to use some
effort.



Insert, as shown, the plastic spheres in the arms.

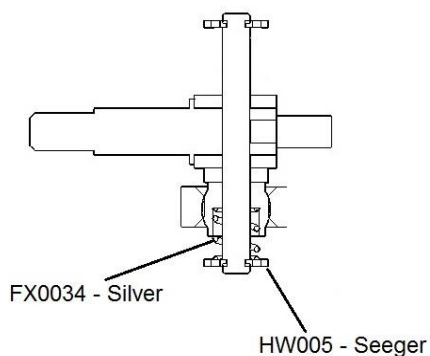


Using 1 x HW003 fix 1 FUFX48. Put the plastic shims on the upper area, the alu shim in the lower portion. Make 2 set mirror like.



Steering hubs. Use 1 x HW0014 M2x 6 screw to fix the 19804495 uniball. Use the Grey ball joint 53601 over the 19804495 uniball.

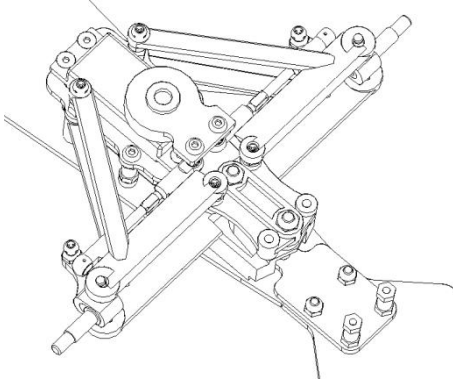
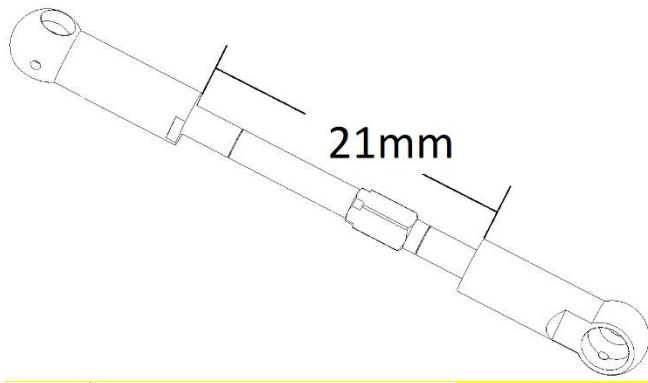
Grub screw M3x3 can be used to better secure the steering over the kingpin. Provided plastic shims can be used to set the front ride height.



Insert the front spring, as show.

Secure the kingpin in position using the 2 x HW005 Seeger

Make 2 sets



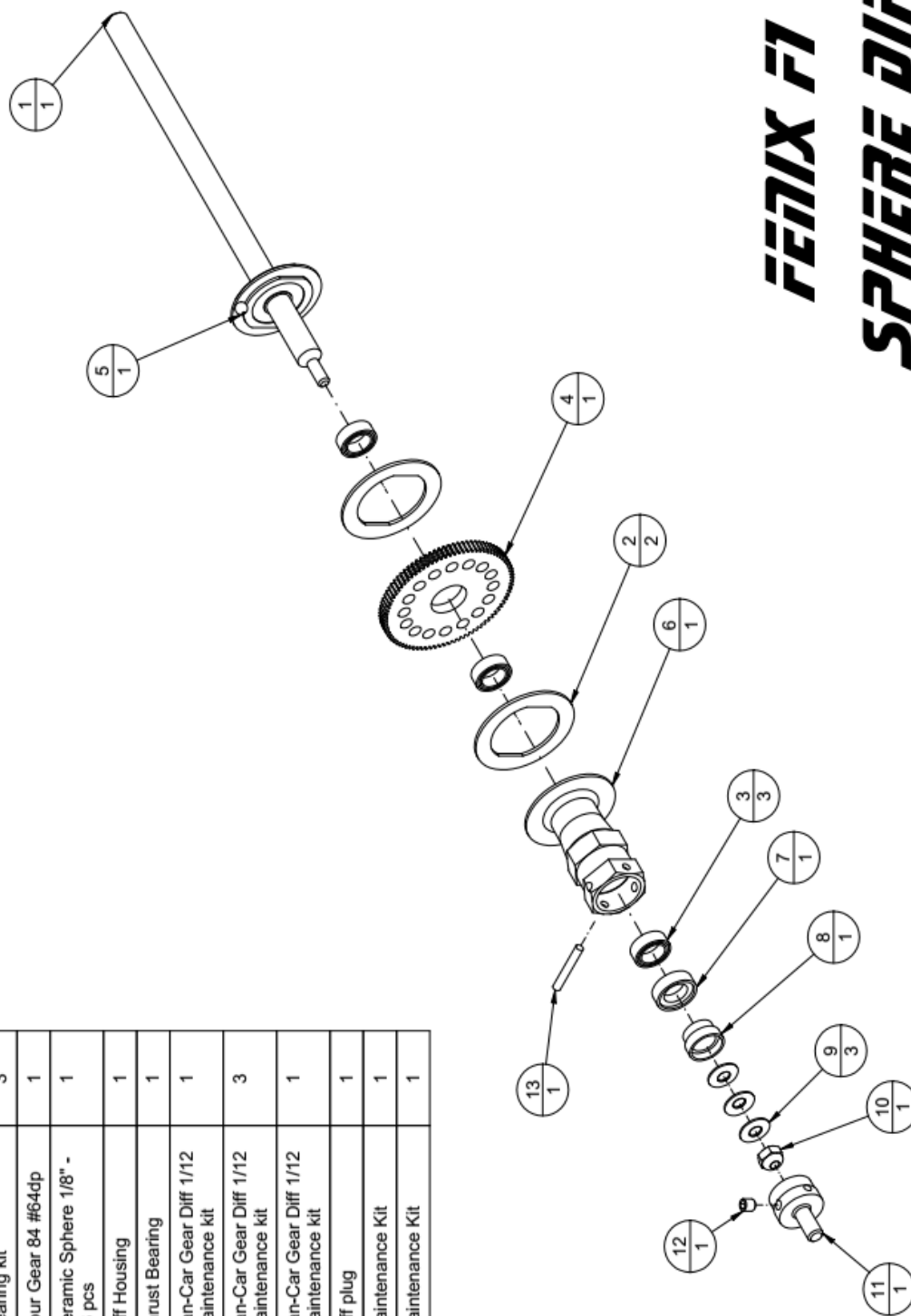
Install the assembled rods over the FUFX48. You can set the required toe after the proper radio settings.

FENIX F1
SPHERE^{*} DIFF

NOTE:

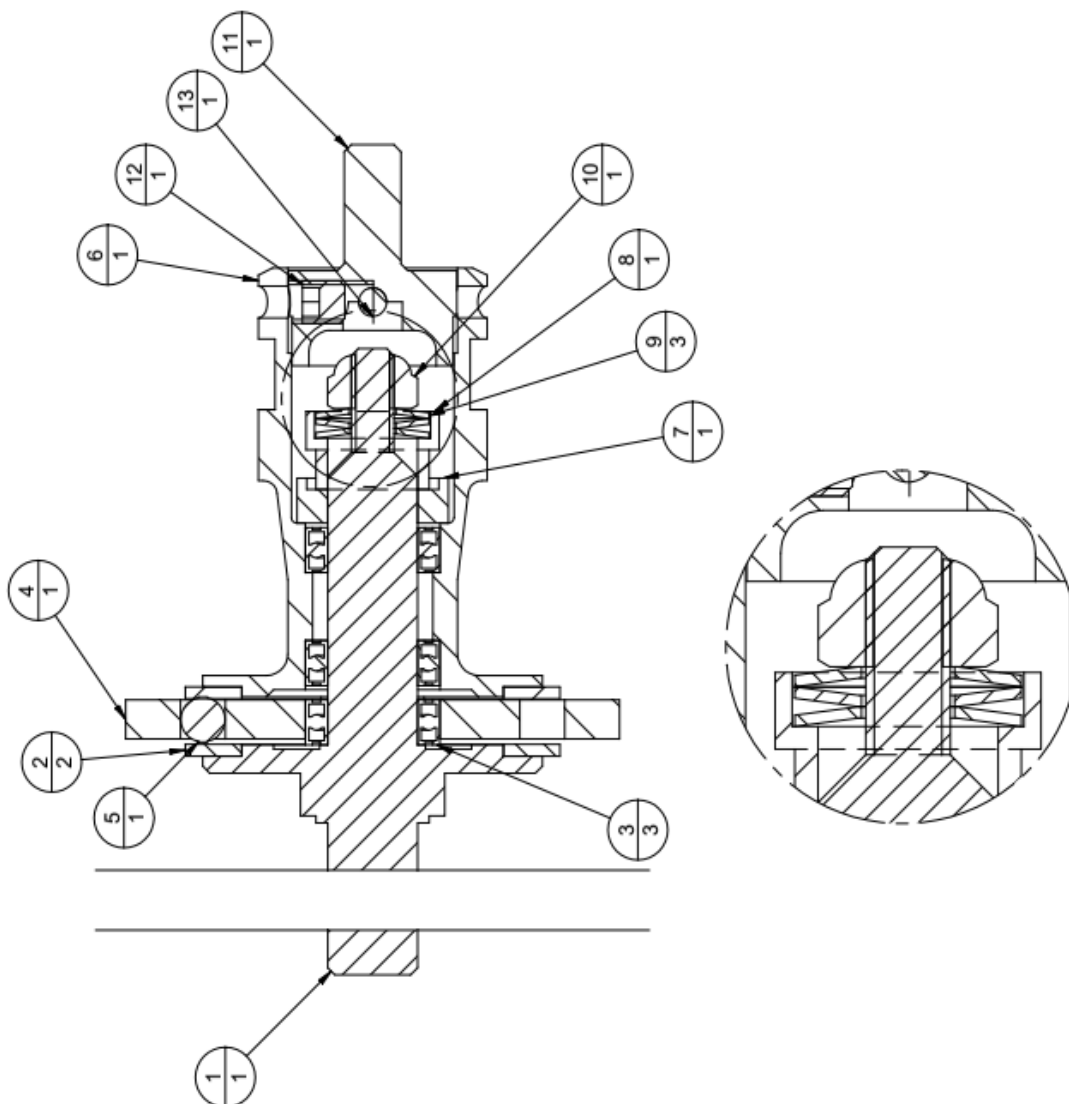
Please, be aware that bearings in FX0043B are rather tight in their site. It might take some effort to put them in and take them out.

Item	CPN	Description	QTY
1	FX0043D	Titanium axle with Ring holder	1
2	F1-007S	Diff plate	2
3	DGD023	Bearing kit	3
4	FD4-84	Spur Gear 84 #64dp	1
5	FX0043C	Ceramic Sphere 1/8" - 16 pcs	1
6	FX0043B	Diff Housing	1
7	FX0043A	Thrust Bearing	1
8	DGD022-12	Pan-Car Gear Diff 1/12 maintenance kit	1
9	DGD022-12	Pan-Car Gear Diff 1/12 maintenance kit	3
10	DGD022-12	Pan-Car Gear Diff 1/12 maintenance kit	1
11	DGD013	Diff plug	1
12	DGD021	Maintenance Kit	1
13	DGD021	Maintenance Kit	1

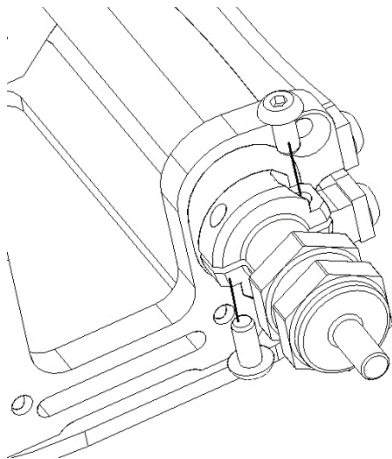


Item	CPN	Description	QTY
1	FX0043D	Titanium axle with Ring holder	1
2	F1-007S	Diff plate	2
3	DGD023	Bearing kit	3
4	FD4-84	Spur Gear 84 #64dp	1
5	FX0043C	Ceramic Sphere 1/8" - 16 pcs	1
6	FX0043B	Diff Housing	1
7	FX0043A	Thrust Bearing	1
8	DGD022-12	Pan-Car Gear Diff 1/12 maintenance kit	1
9	DGD022-12	Pan-Car Gear Diff 1/12 maintenance kit	3
10	DGD022-12	Pan-Car Gear Diff 1/12 maintenance kit	1
11	DGD013	Diff plug	1
12	DGD021	Maintenance Kit	1
13	DGD021	Maintenance Kit	1

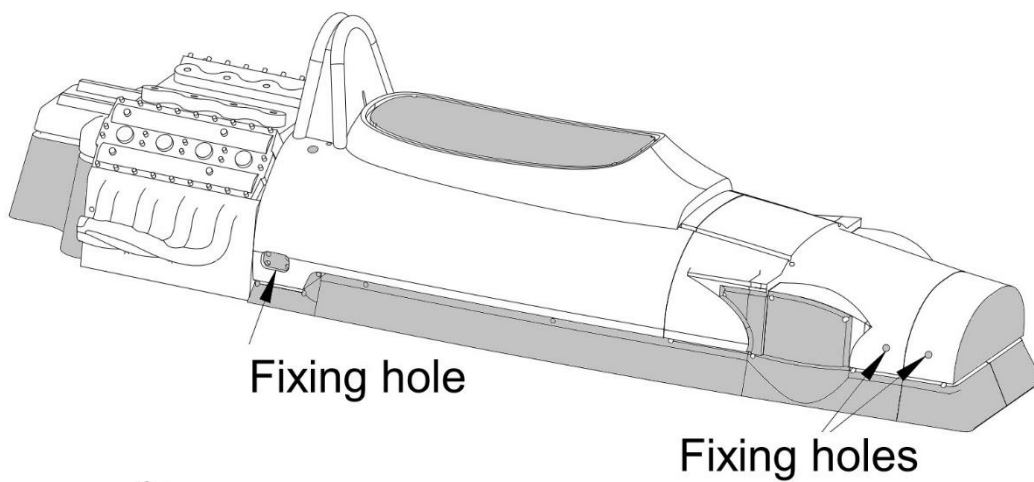
FENIX F1
SPHERE DIFF



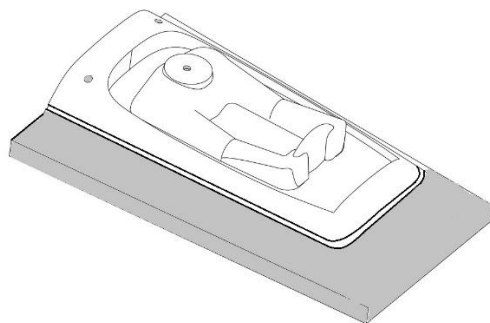
NOTE:
Please, be aware that bearings in FX0043B are rather tight in their site.
It might take some effort to put them in and take them out.



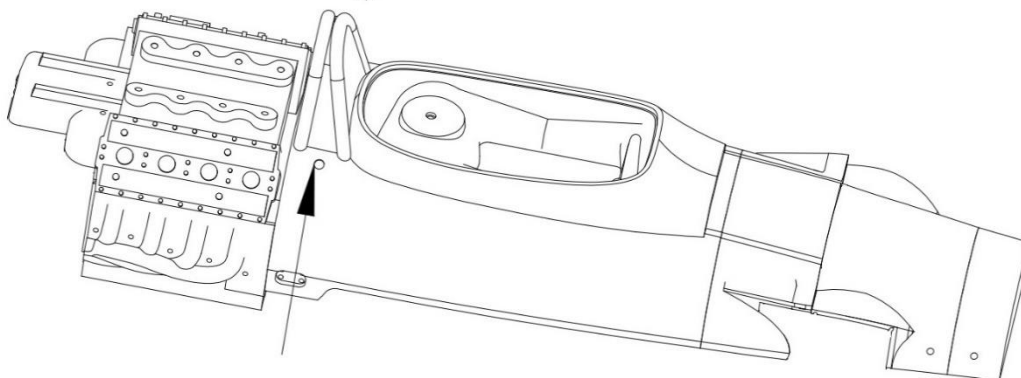
Insert the left wheel hub over the differential axle and secure it with 2 x HW003



Cut the upper part of the body as show. Open the side grey holes and front ones. Front ones should be about \varnothing 3mm Take care that the grey hole will be used to fix the body to the model



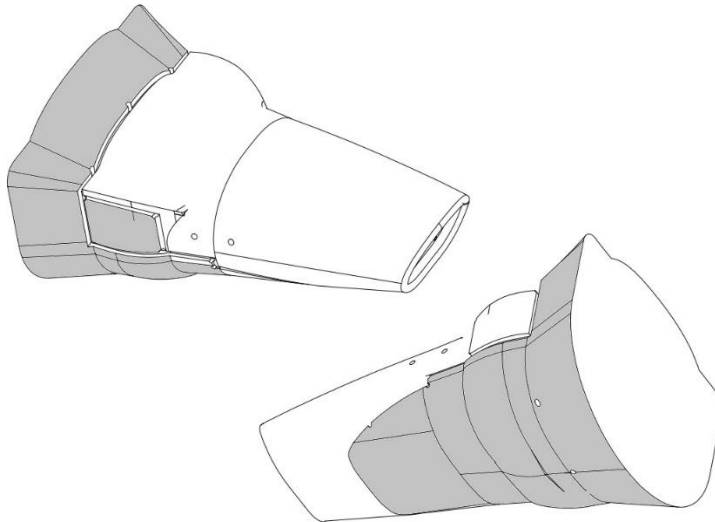
Paint and fix the driver hear to the driver body and cut the grey area. Drill the grey holes \varnothing 3mm



Fix the driver body to the upper body. Use the provided M3x6 button screws and nuts.

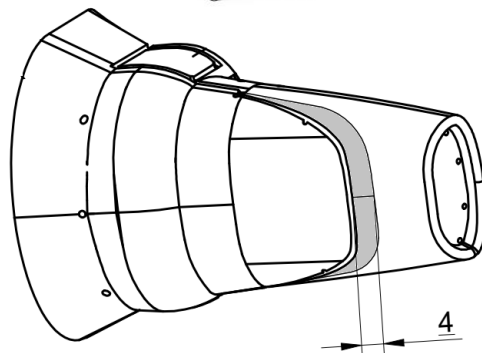
Cut the nosecone as show

Using the dimples as reference drill 4 by \varnothing 3mm



Note:

For easy fit, you may need to cut the nose cone about 4 mm more

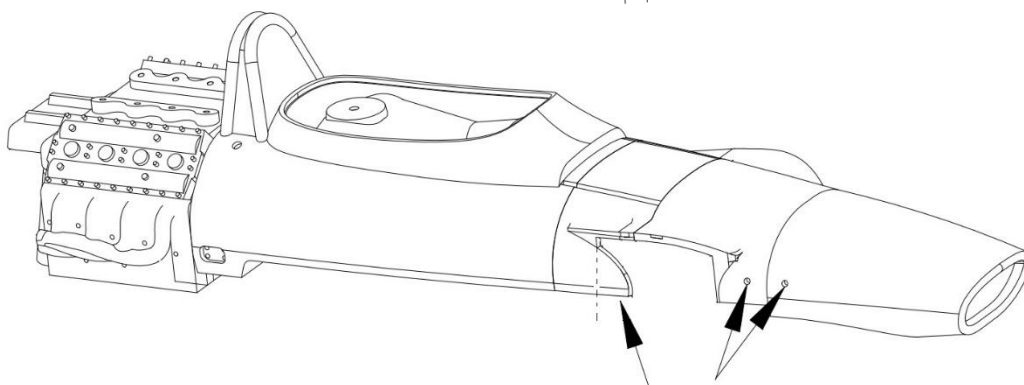


Fixing the nose cone.

Using 4 by M3x6 button screw, fix the nose cone to the upper body.

Note:

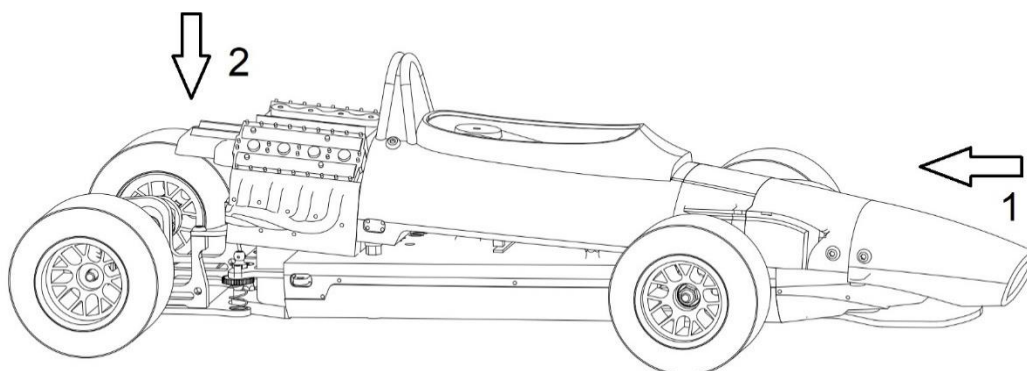
For easy fit, you may want to cut the body along the dotted line.



1 - Slide the upper body over the lower body

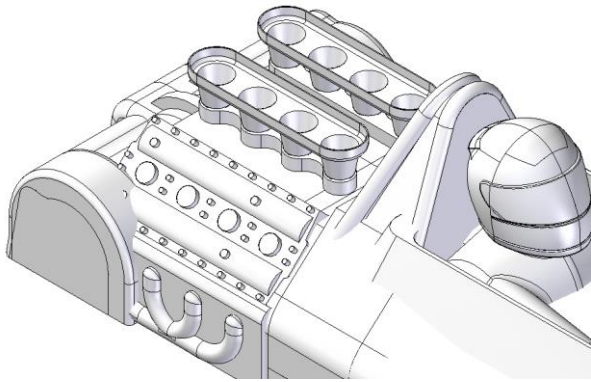
2 - rotate it.

Slide over the fixing points and secure it using 2 fixing clips



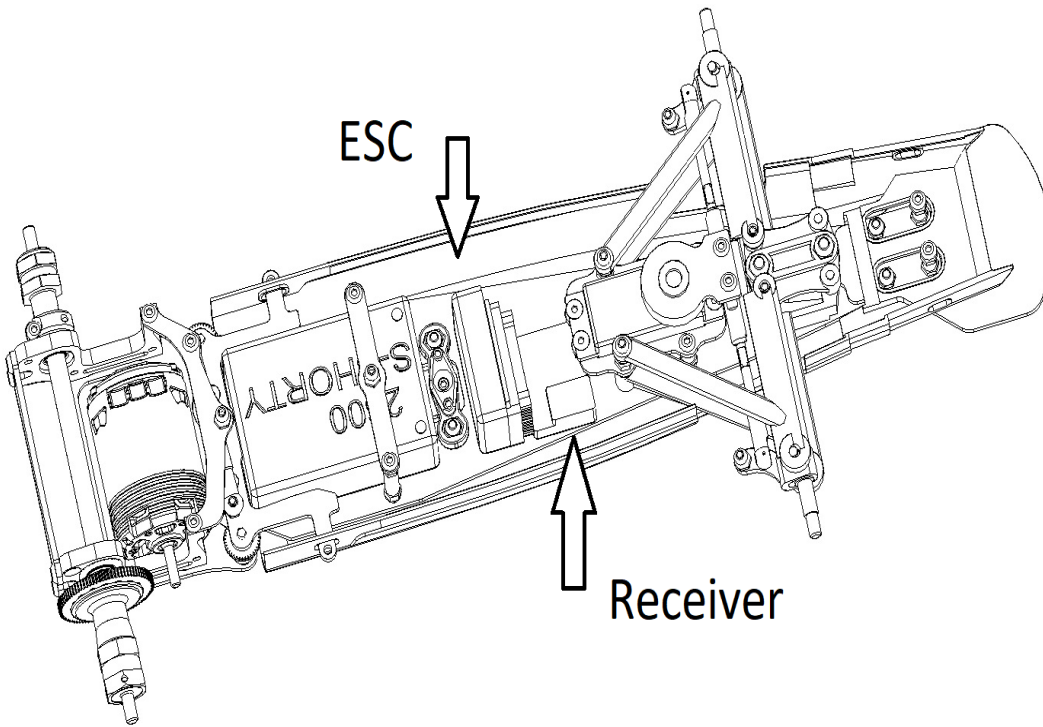
FETIX Classique

Team Lotus 49



Fix the driver helmet to the upper body

Fix the inlet stacks to the motor.



Optional electrical out

Optional parts:



You can further improve the look of your Classic Team Lotus 49, installing the optional Classique Velocity stacks, alluminium machined

Cpn HS11

