

***FENIX MISTRAL 3.5***

***FENIX***

***MISTRAL 3.5***

Rev. 1.04

March 2025



# FENIX MISTRAL 3.5

MISTRAL 3.5 is an high-competition, high-quality, 1/10-scale model car intended for persons aged 16 years and older with previous experience building and operating RC model racing cars. This is not a toy; it is a precision racing model. This model racing car is not intended for use by beginners, inexperienced customers, or inexperienced racers or by children without direct supervision of a responsible, knowledgeable adult.

Before building and operating your MISTRAL 3.5, YOU MUST read through all of the operating instructions and instruction manual and fully understand them to get the maximum enjoyment and prevent unnecessary damage. Read carefully and fully understand the instructions before beginning assembly.

Contents of the box may differ from pictures. In line with our policy of continuous product development, the exact specifications of the kit may vary without prior notice.

Take appropriate safety precautions prior to operating this model. You are responsible for this model's assembly and safe operation! Please read the instruction manual before building and operating this model and follow all safety precautions

## IMPORTANT NOTES – GENERAL

- This product is not suitable for children under 16 years of age without the direct supervision of a responsible and knowledgeable adult.
  - Carefully read all manufacturers warnings and cautions for any parts used in the construction and use of your model.
  - Assemble this kit only in places away from the reach of very small children.
  - First-time builders and users should seek advice from people who have building experience in order to assemble the model correctly and to allow the model to reach its performance potential.
  - Exercise care when using tools and sharp instruments.
  - Take care when building, as some parts may have sharp edges.
  - Keep small parts out of reach of small children. Children must not be allowed to put any parts in their mouth, or pull vinyl bag over their head.
  - Read and follow instructions supplied with paints and/or cement, if used (not included in kit).
  - Immediately after using your model, do NOT touch equipment on the model such as the motor and speed controller, because they generate high temperatures. You may seriously burn yourself seriously touching them.
  - Follow the operating instructions for the radio equipment at all times.
  - Do not put fingers or any objects inside rotating and moving parts, as this may cause damage or serious injury as your finger, hair, clothes, etc. may get caught.
  - Be sure that your operating frequency is clear before turning on or running your model, and never share the same frequency with somebody else at the same time. Ensure that others are aware of the operating frequency you are using and when you are using it.
  - Use a transmitter designed for ground use with RC cars. Make sure that no one else is using the same frequency as yours in your operating area. Using the same frequency at the same time, whether it is driving, flying or sailing, can cause loss of control of the RC model, resulting in a serious accident.
  - Always turn on your transmitter before you turn on the receiver in the car. Always turn off the receiver before turning your transmitter off.
  - Keep the wheels of the model off the ground when checking the operation of the radio equipment.
  - Disconnect the battery pack before storing your model.
  - When learning to operate your model, go to an area that has no obstacles that can damage your model if your model suffers a collision.
  - Remove any sand, mud, dirt, grass or water before putting your model away.
  - If the model behaves strangely, immediately stop the model, check and clear the problem.
  - To prevent any serious personal injury and/or damage to property, be responsible when operating all remote controlled models.
  - The model car is not intended for use on public places and roads or areas where its operation can conflict with or disrupt pedestrian or vehicular traffic.
  - Because the model car is controlled by radio, it is subject to radio interference from many sources that are beyond your control. Since radio interference can cause momentary loss of control, always allow a safety margin in all directions around the model in order to prevent collisions.
  - Do not use your model:
    - Near real cars, animals, or people that are unaware that an RC car is being driven.
    - In places where children and people gather
    - In residential districts and parks
    - In limited indoor spaces
    - In wet conditions
    - In the street
    - In areas where loud noises can disturb others, such as hospitals and residential areas.
    - At night or anytime your line of sight to the model may be obstructed or impaired in any way.
- To prevent any serious personal injury and/or damage to property, please be responsible when operating all remote controlled models. Failure to follow these instructions will be considered as abuse and/or neglect.
- We have made every effort to make these instructions as easy to understand as possible.
- However, if you have any difficulties, problems, or questions, please do not hesitate to contact the Fenix support team at [racing@fenixwaterjet.com](mailto:racing@fenixwaterjet.com) . Also, please visit our Web site at [www.Fenix-racing.com](http://www.Fenix-racing.com) or [www.fenixracingshop.com](http://www.fenixracingshop.com) or <https://www.facebook.com/FenixRacing.it/> the latest updates, set-up information, option parts, and many other goodies. We pride ourselves on taking excellent care of our customers.

*Just a quick note.... Read the manual "before" and not after....*

# ***FENIX MISTRAL 3.5***

If you're super lazy 😊

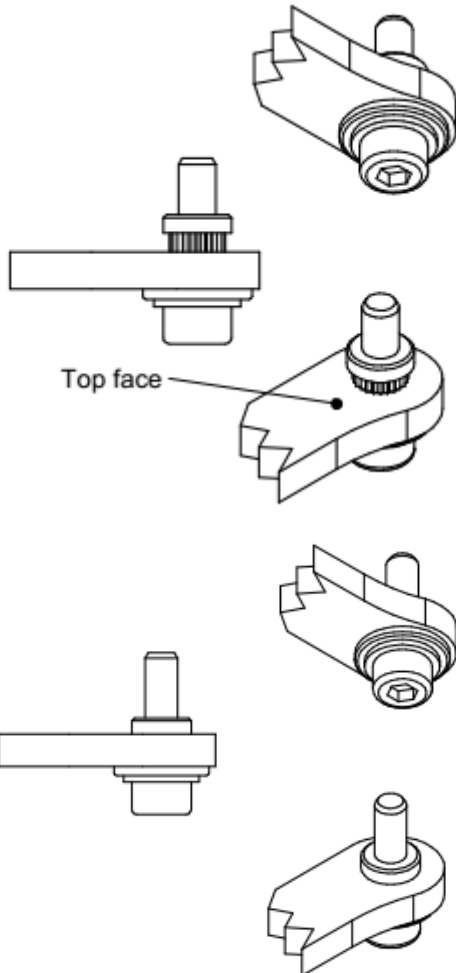
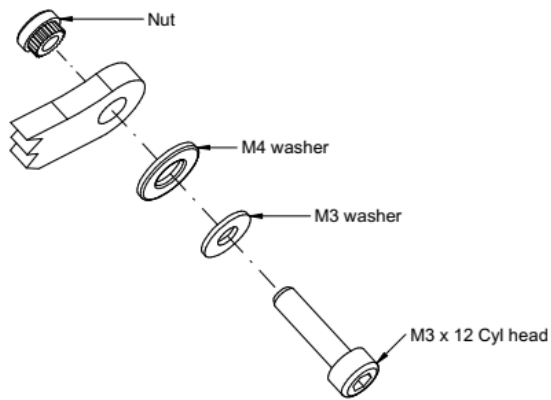
Scan the QR code, there will be a photo guide for the assembly.

It does not substitute the manual, it's intended to be a visual support



Thanks to Marco for the idea... 😊

## Carbon Nut assembly



### ----- **Read me first!!!** -----

MISTRAL 3.5 use this kind of special nut in several places. Just take your time and the result will be great.

Those comes already pre-assembled, but is always good to know "how to", just in case of...

**To insert** the Nut in the carbon fibre you have to follow this easy procedure.

Slide the M3 and M4 washer over the M3 x 12 Socket Head Screw.

Insert the screw in the carbon part and tight by hand the special nut.

Once the nut hit the carbon fibre it will start to secure itself into the CF.

Tight it slowly (very slowly) until it stop.

**Don't overtight it – is completely unnecessary**

#### **Tip 1:**

You might want to slightly chamfer the Top face with your body reamer. Just enough to remove the sharp edge

#### **Tip 2:**

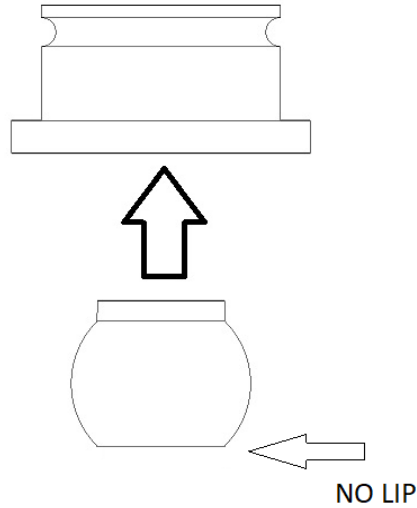
When the nut hit the carbon fibre, before insert it fully, you can add a tiny drop of thin slow cure CA glue. *Very tiny...*

#### **Tip 3:**

Don't use electric tools to drive the screw, most likely you'll end damaging the carbon fibre....

## Bag A

**Note:** front end is optimized for Ride GR / Fenix A offset wheels.

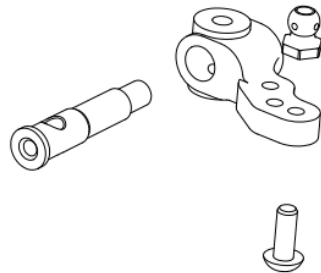


Front End assembly

2 x G56038 Sphere holder  
2 x M20-K3 6mm sphere

Insert the sphere into the holder from the lower side

Make 2 sets



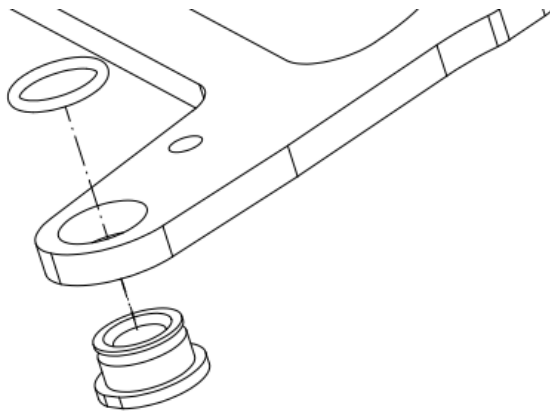
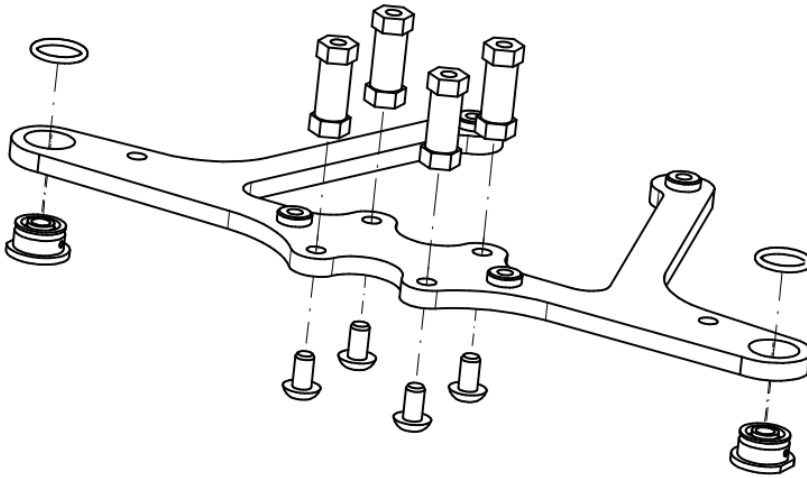
Steering hub

Make 2 sets mirror like

# FENIX MISTRAL 3.5

Install 4 \* 15mm post FX0087 on the lower arm, using 4 \* M3 x 8 button screws.

Use a 5.5 socket wrench to properly tighten the posts.



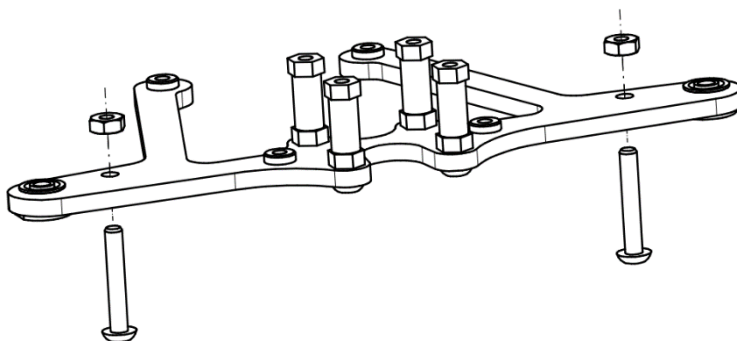
Sphere holder group detail:

Insert the group into the front arm

Fix the sphere holder with the provided Oring

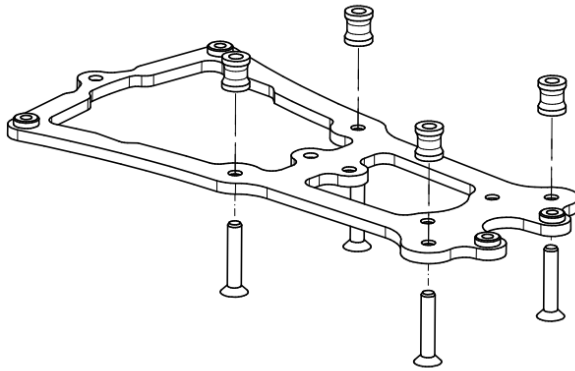
**Note:**

Be sure that the sphere holder fit easily, you might have to enlarge the 8mm hole with some sandpaper.



Insert 2 \* M3 x 20 button screws and 2 \* M3 nut, as steering limiter.

# FENIX MISTRAL 3.5

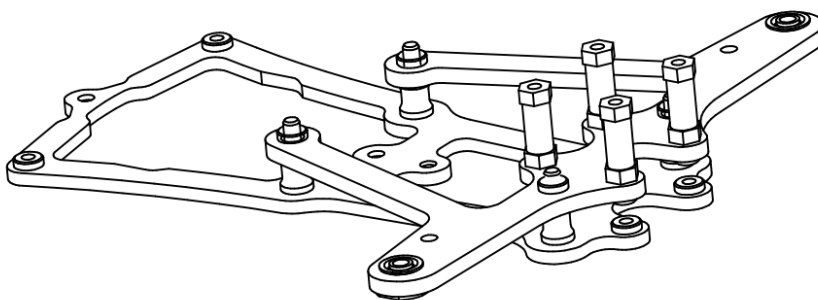


Prepare the sub-frame

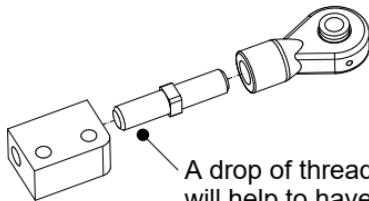
Install 4 x M3x16 HW020 in the lower face.

Insert 4 FX0094 7mm shims over the screws

**Note:** to set the front height, you've to add/remove shims here

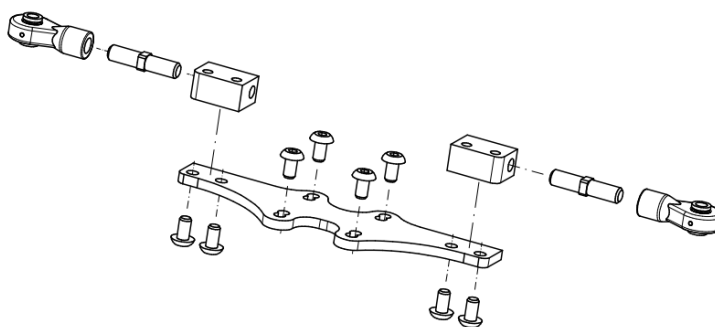


Install the front arm as show



A drop of threadlock (not included), will help to have a proper assembly

Suggest to use Loctite 222 ( Pink)

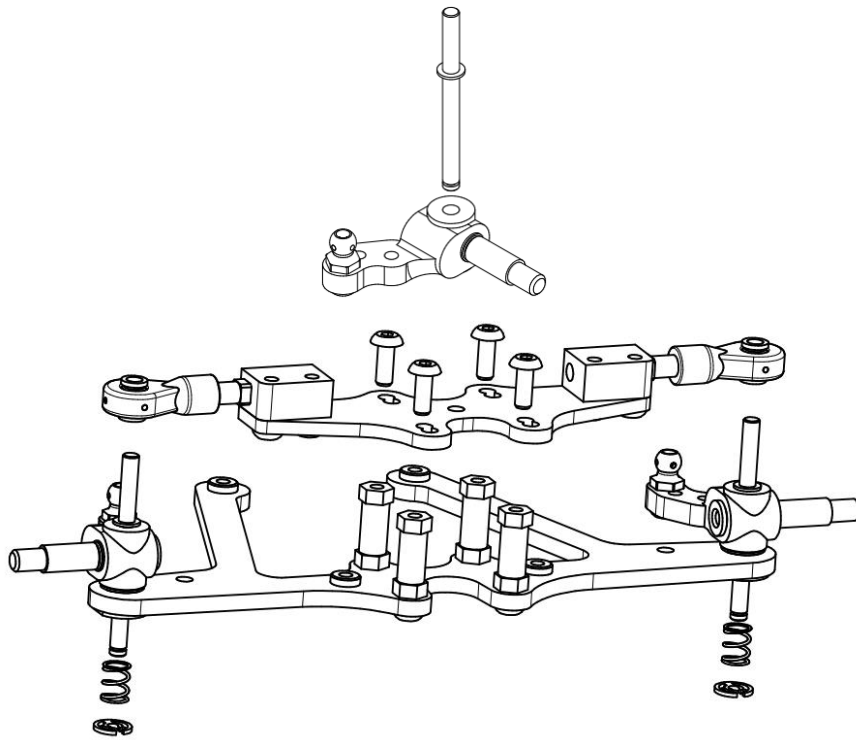


Fix the aluminium camber block to the upper caster arm, using 2 \* M3 x 8 button screws each.

Group will be fixed using 4 \* M3x8 button screws.

**Note:** Box arm allow you to set the caster at 6° or 12°. Different caster arms are available as option parts.

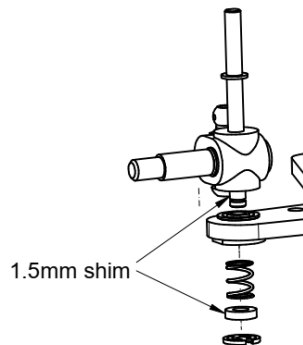
# FENIX MISTRAL 3.5



Insert the kingpin into the steering hub

Now you can assembly the upper arm group using 4 \* M3x8 button screws.

Insert springs on the kingpin and secure them with the seeger



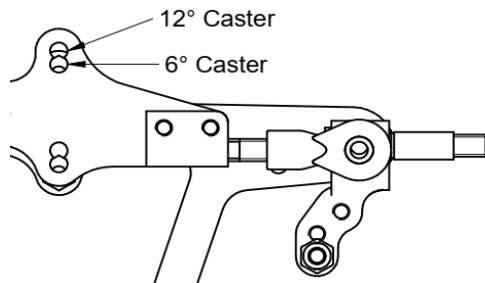
### Note: Ride Height

You can alter the ride height of the car, moving the provided 1.5mm shim.

Pic show the 2 potential location.

While we're in "spring" area... Remember that front soft springs are getting weaker after few runs. Check them often!

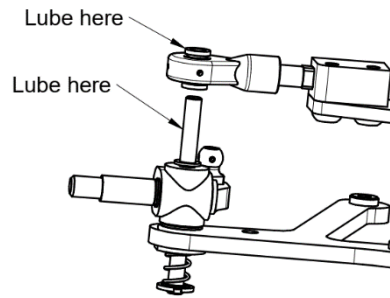
Shimming under the steering knuckle will reduce the suspension travel. Shimming under the spring, allow you to fine tuning the spring preload



**Note:** Start with 6° degree position.



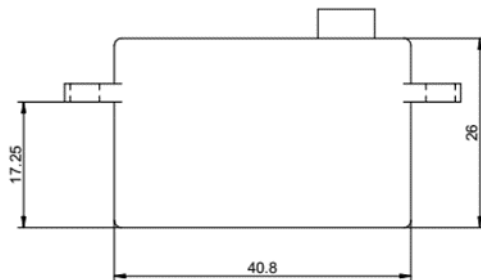
# FENIX MISTRAL 3.5



## Racing tip:

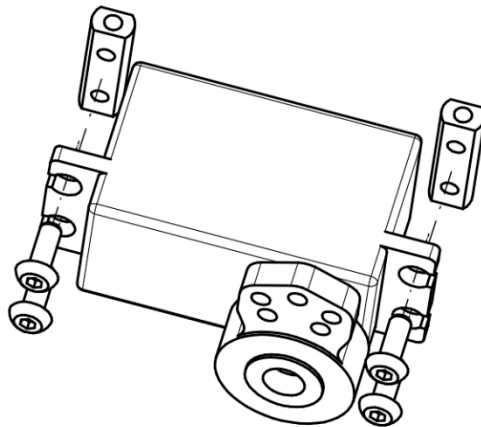
New kingpin can work as suspension damper. You can add few drops of Silicone Syrup to "smooth" the front suspension.

A good starting point is #5000



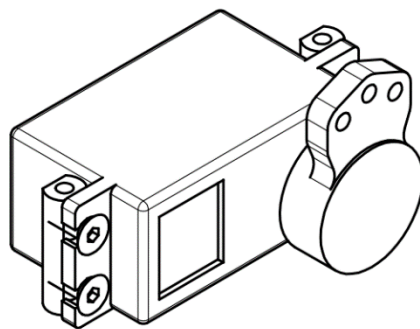
**Servo and servo saver are not included**, MISTRAL 3.5 need a low profile or super low profile servo.

**Note:** the dimension of the servo suggested



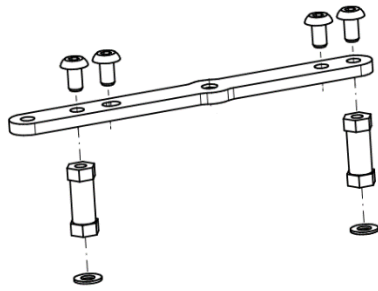
Use the 4 \*M3x8 button screw to fix the FX022 servo mount.

Servo saver is **not** included.

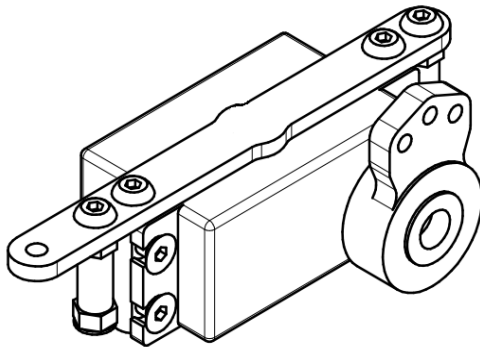


Assembled group. Servo saver should be vertical when servo is neutral.

# FENIX MISTRAL 3.5

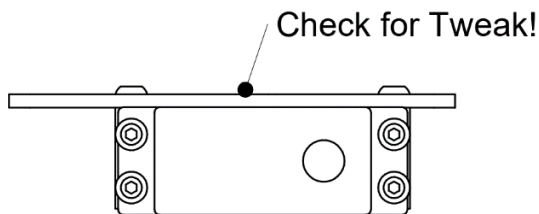


M33-10 servo holder assembly.  
Use 2 15mm post, according your servo, you might need to shim those by 0.5mm



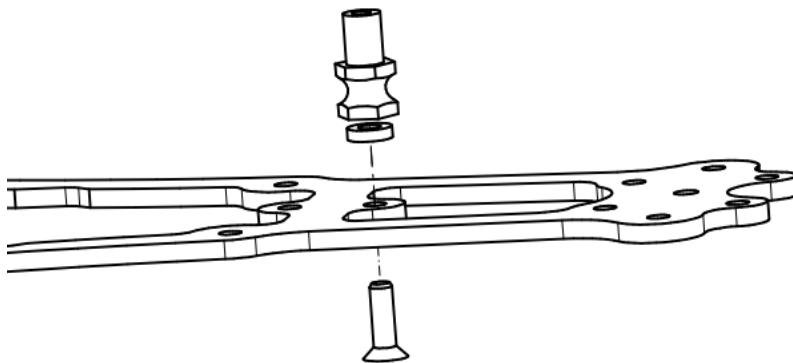
Using 2 x HW008 M3x6 Button, fix the servo group to the M33-10 servo holder

**Note:** the most forward servo mounting hole in M33-10 is shaped to cope with several servo.



**Important:** servos are not all equals!  
To avoid any unwanted tweak in the servo group, you can release the servo screws and, while the servo is on a flat surface, re-tighten them.

Servo saver omitted for clarity

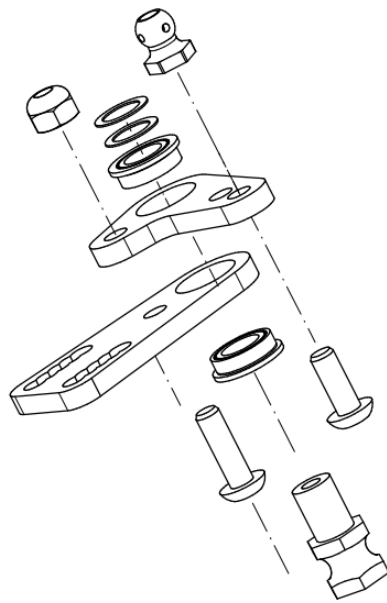


**Note:** Some parts are removed for sake of clarity. 😊

Fix the FX0049 steering post with 1 x HW0033 M3x10 countersunk screw

Insert the 1.5mm shim between the M33-3 and the steering post

# FENIX MISTRAL 3.5

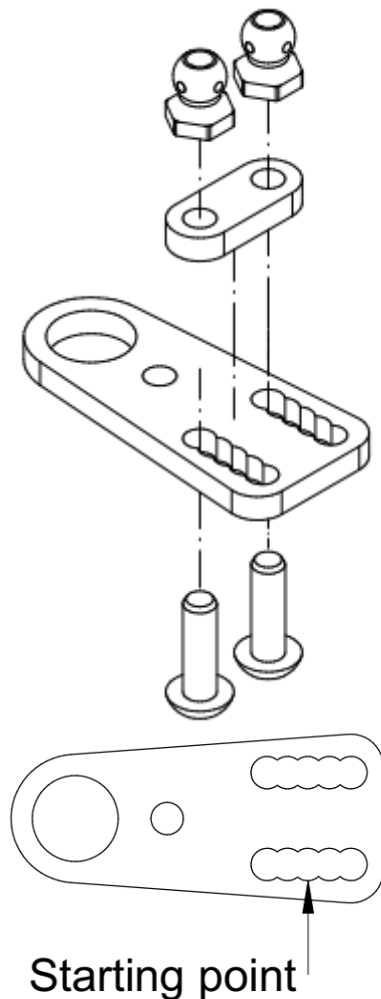


Assembly the steering linkage as shown. Take some care when insert the bearings in the carbon fibre.

**Note:**  
you might have to enlarge the 8mm hole with some sandpaper. Do not exceed.

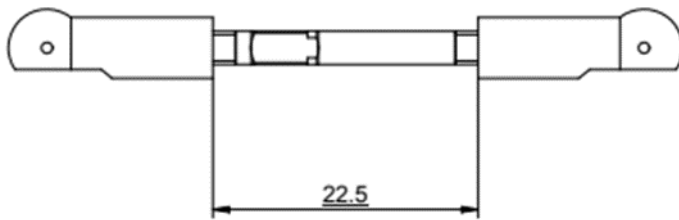
**Note:**  
Take some time when aligning the carbon plates.

**If necessary,** use the provided shims to remove the vertical play to the minimum.



Install the FX-FU48 using 3 x HW003 M3x8 button screw.  
Install the M33-12 between the FX-FU48 and M33-11

# FENIX MISTRAL 3.5



Using the 36mm tie rods, make 2 tie-rod with 22.5mm distance between the plastic cups. Make 1 with 24mm distance, using the 39mm one.

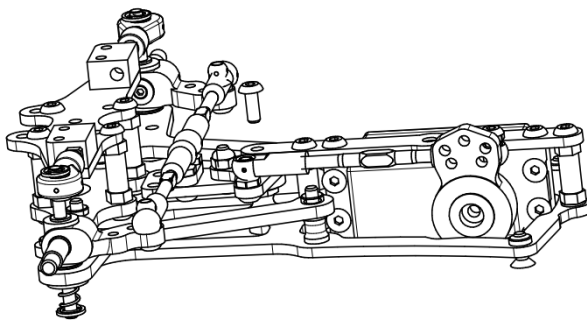
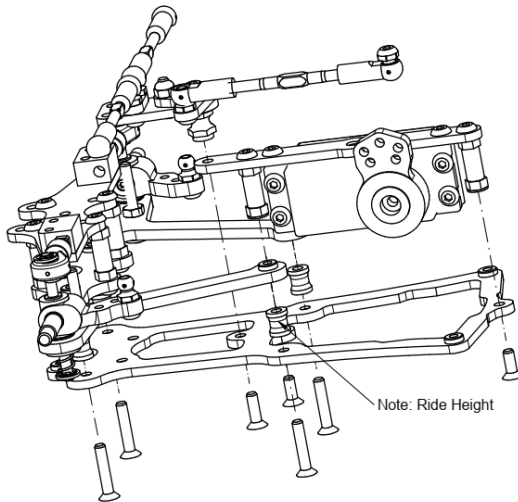
Connect the 24 mm one to servo and the other 2 to the steering hubs

Ball male stud should be used on the servo horn.

Now the 3 groups can be joined together to the subframe.

Note: Ride height can be altered by adding shims to the 7mm posts.

In extreme situations, you can change them, if you need to have a very high ground clearance.

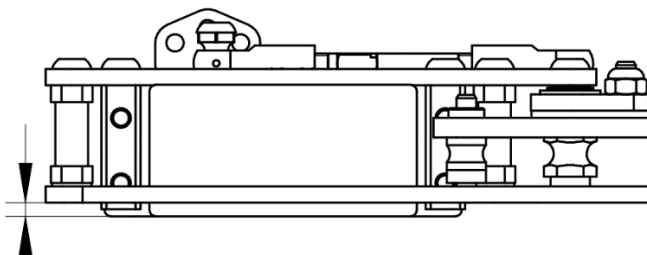


Use one HW003 M3x8 button screw to fix the M33-10 to the steering post.

**Note:** A certain amount of vertical play is needed

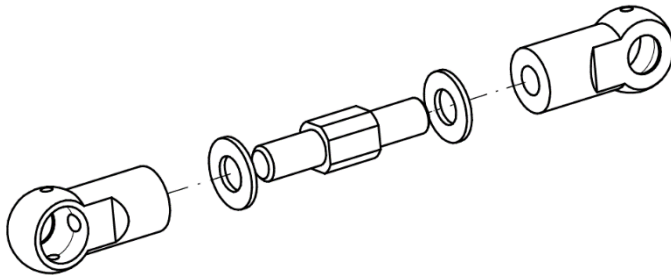
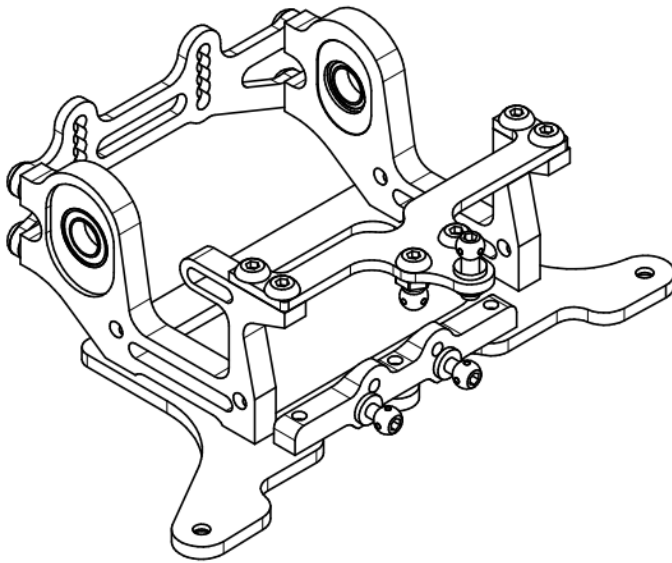
Servo should protrude from the M33-5 sub frame.

This dimension is variable according your servo.



## Bag B

Motor Pod



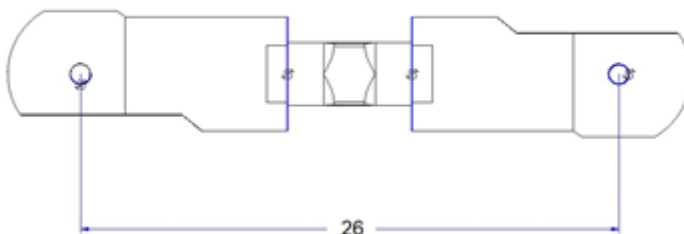
Build 2 set of link using 2 x TR16 + 4 FX0150-S +4 0,5mm shims. Remember to keep the **“shiny”** faces of the plastic ball cup opposite between them.

Assembling all the parts of the tie-rod “packed”, you’ll get an “almost” correct V-link, but if you want to get max you can always fine tune the length of the tie-rods as explained in the video

### NOTE:

Before start to assembly the rear end of Mistral 3.5, we strongly suggest you, to visit the Fenix Racing Youtube channel and look the “V-link suspension setup” video...

<https://www.youtube.com/watch?v=SEwNQcn12A0>

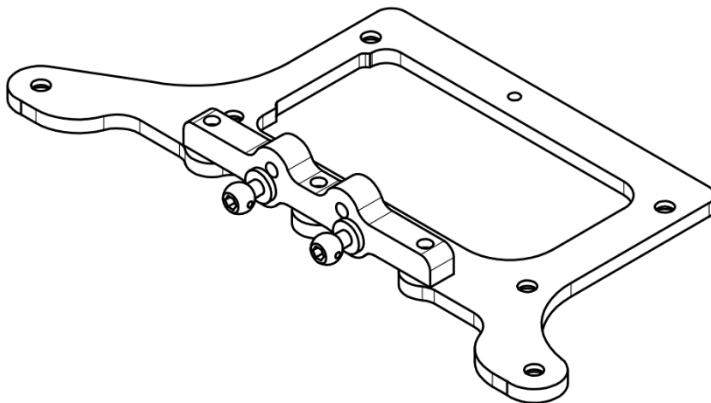
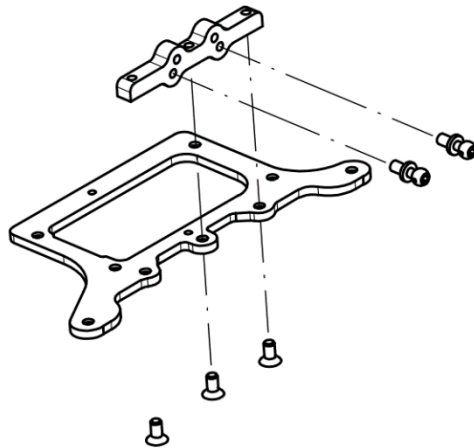


Keep this dimensions.  
Fix the link over the V-link F2

# FENIX MISTRAL 3.5

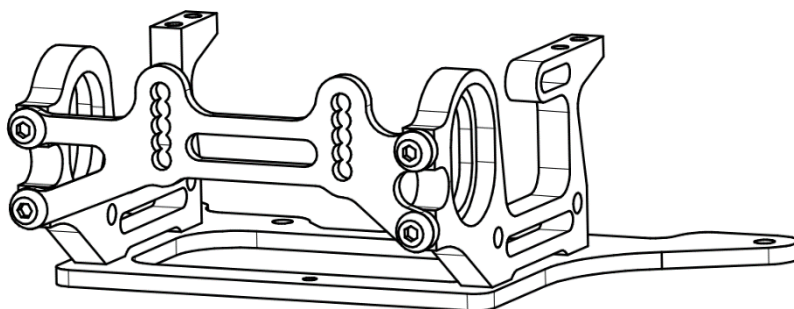
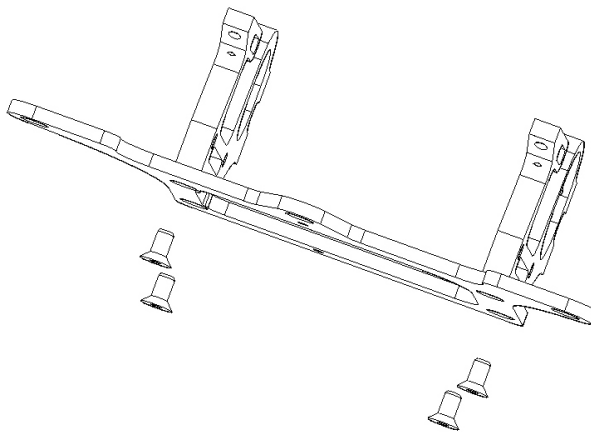
Using 3 x HW012 M3x6 countersunk screw fix the V-link F2 to the M33-4 motor pod.

Insert 2 x male ball stub into the V-link F2.



Using 4 x HW012 countersunk screws, fix the motor holder to the motor pod.

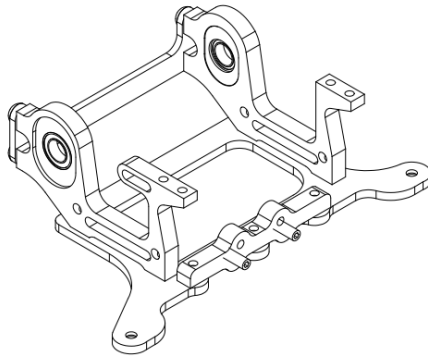
Tight the screws evenly using an "X" pattern



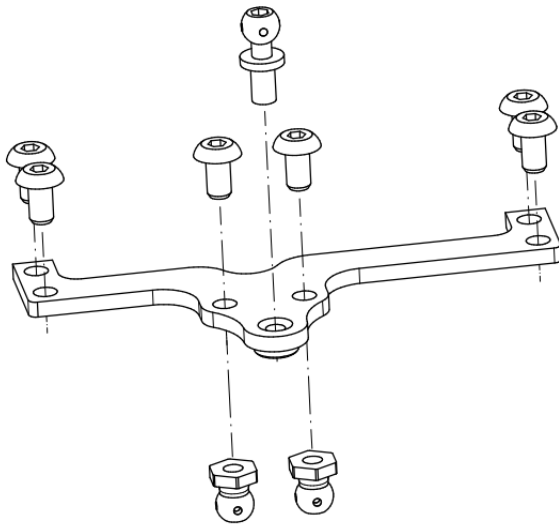
Fix the M33-6 wing stay to the group using 4 x HW008 M3x6 button screw.

Tight the screws evenly using an "X" pattern

# FENIX MISTRAL 3.5



Insert the ride height adjuster and the flanged bearings (bearings are in the differential bag)



Use the provided HW006 M3x8 button screw to fix the M33-5 shock holder to the Motor holder

**Note:** Wait to install the shock holder to the motor group.

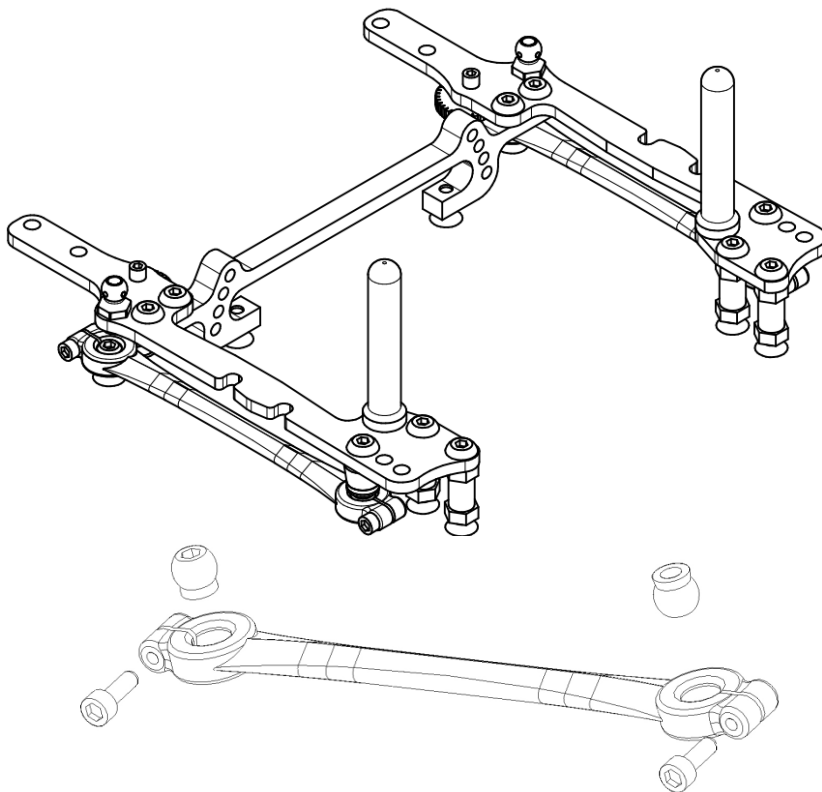
**Note:** When you've to remove the battery, you can unscrew the male stud from the M33-5 and leaving it into the shock absorber.

# FENIX MISTRAL 3.5

How about a cup of coffee now? You deserve it!



While you drink it... you can read the manual... . 😊



## Bag C

Rear V-link and common parts

Prepare 2 sets – **note** the position of the spheres.  
Use 2 x HW0014 M2x 6 screws and 2 x FX002 spheres each



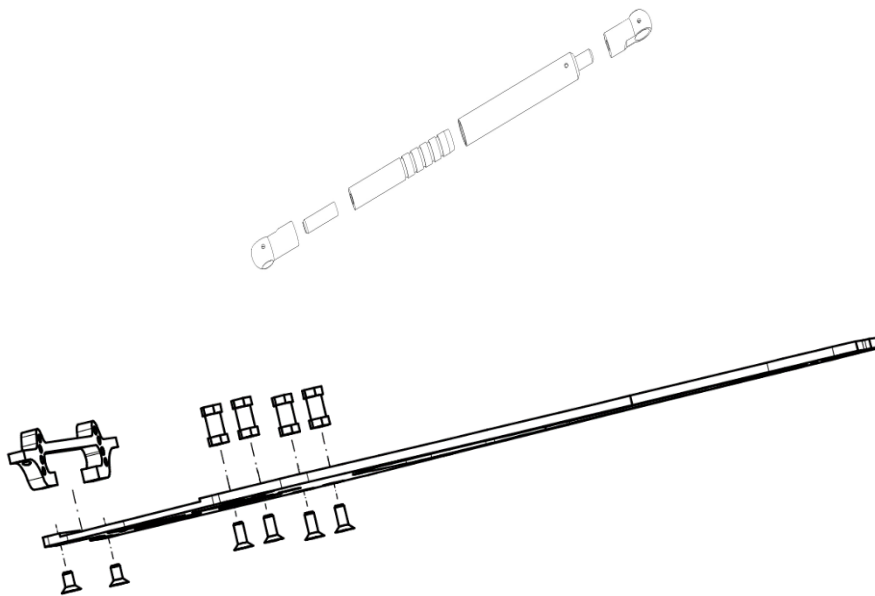
# FENIX MISTRAL 3.5



Use M3x8 grub screw

Use a 5.5 socket wrench to properly tighten the spring holder.

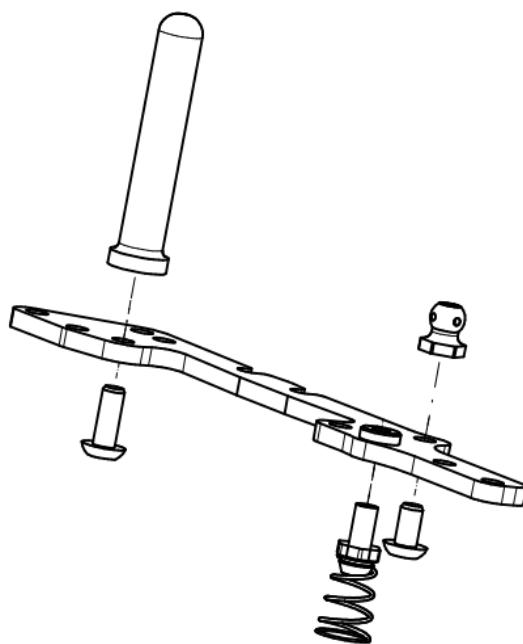
Prepare 2 side spring group set as shown



Assembly the 2 side dampers as shown

Assembly 4 x FX0052 12mm post with 4 x HW007 M3x8 countersunk screw

Assembly the V-link F1 using 2 x HW012 M3x6 countersunk screw



Assembly as shown  
Prepare 2 mirror like side element, using M35-13

Fix the FU-FX48 and the body post using 2 \* HW003 M3x8 button screw.

Insert the side spring group into the carbon fibre nut

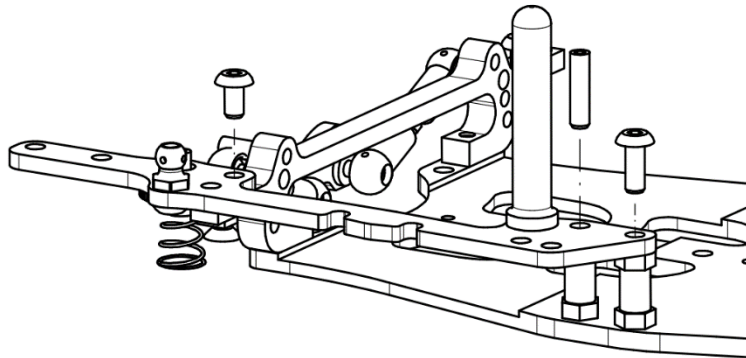
**Note:**

A drop of threadlock (not included) will hold the spring group in position.

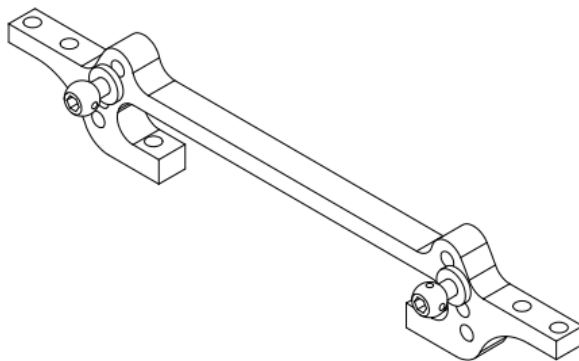
We suggest Loctite 222 (pink)

# FENIX MISTRAL 3.5

Install the side group as shown using 2 \* M3x6 button screws.



Insert 1 \* M3x12 grub screw as shown and leave it about 4mm out from the side wing.



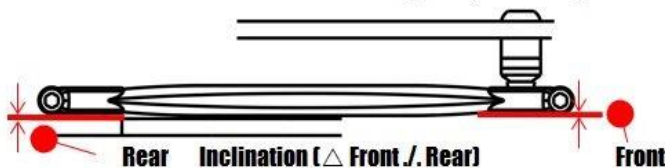
From Bag C, insert 2 x male stud.  
Fix the short link between V-link F1 and V-link F2

## Note

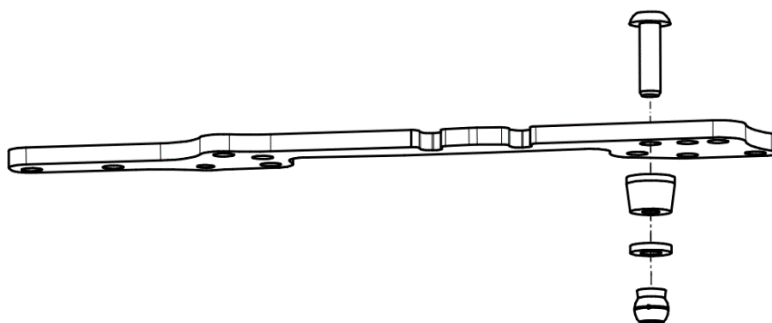
Please, check in the tech section about the V-link settings.

**Note:** See later in the manual the "angled link" explication

## Side link inclination (rear axle bumpsteer, v-link only)



Using an M3 x 12 assembly the G56042A spacer between the carbon side wing, and the link sphere. Use 1 x 1.5 shim



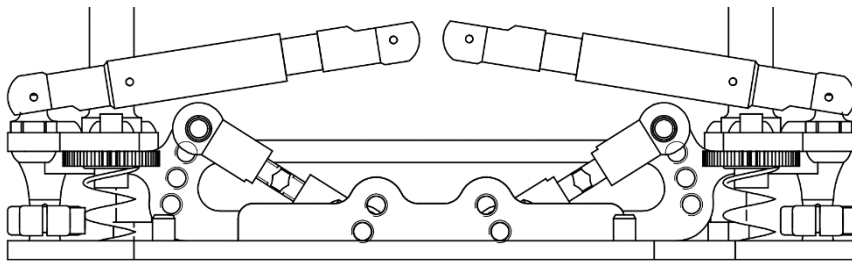
## Note:

Newer G56042A allow to set the tilted link in the easiest way.

# FENIX MISTRAL 3.5

Install the side link you've prepared.

Use 2 x 6mm allen to tight the sphere link.



V-link setting.....



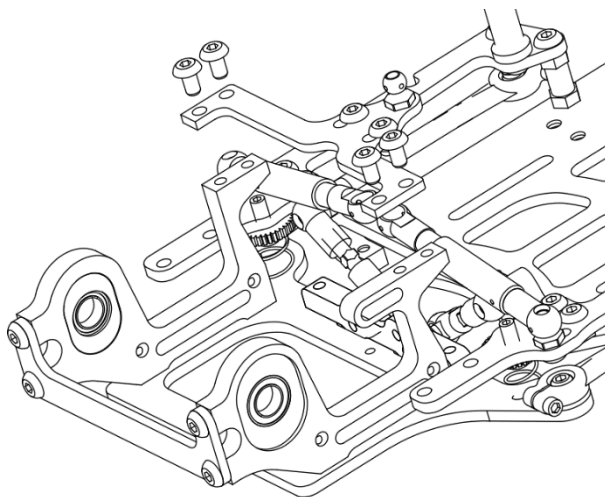
Now, lay the car on a flat setup board and make the final fine tuning of the links length. Chassis and motor pod must lay flat on the setup board.

Take the proper time for this setting.

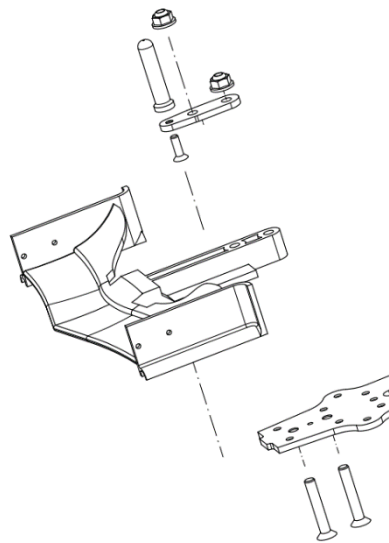
Now you can couple the motor pod to the chassis group. Use the M33-5 shock holder, using 4 by HW008 3x6 button screw.

Side links can be installed using 2 x HW012 M3x6.

Install now the side dampers



# FENIX MISTRAL 3.5

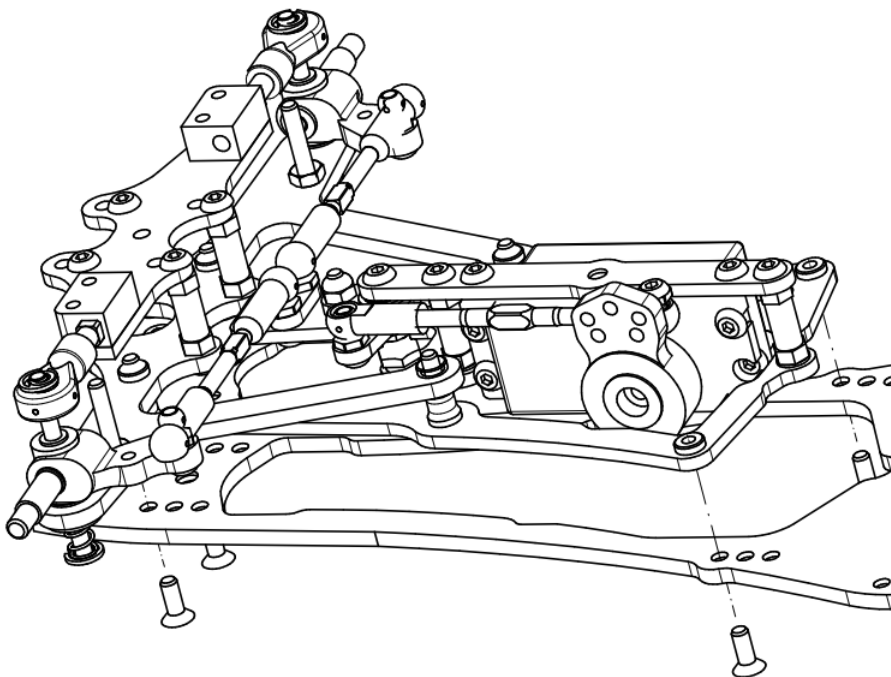


To assembly the front wing.

First secure the front body post to the body holder using 1 HW004 M3x10 screw, then using 2 HW017 M4x25 secure the frontwing (not included) to the front end of the chassis.

Note: Some wings endplates, might be close to the front tires, according the tires/wheelbase configuration.

## Chassis / Sub-frame mating



Using 4 \* M3x8 countersunk screws you can mate the chassis and the subframe.

Mistral 3.5 has the unique option to have several wheelbases, switchable between them, in a matter of seconds, just using 4 screws.

Wheelbases available are

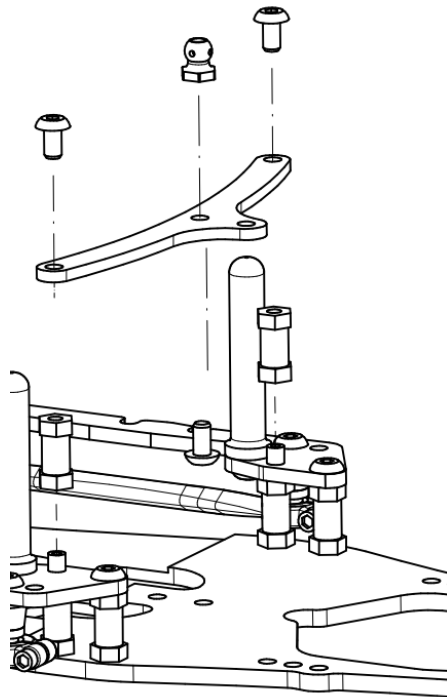
270mm (max IFMAR legal) – great for open tracks like 1/8 or some Eu circuits.

265mm – great all around.

260mm great for twisty “mickey mouse” tracks

Note: Fix your electronic with shortest wheelbase configuration.

## Central shock holder



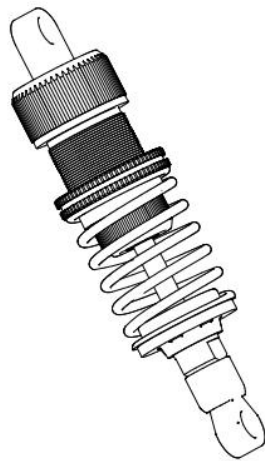
## Bag D

Fix 2 FX0052-12mm posts to the chassis, onto the protruding grub screws.

Then fix the M35-3 bridge using 2 \* M3x6 button screws.

Fix the FUFX48 to the bridge using 1 \* M3 x 6 button screw.

## Shock Bag



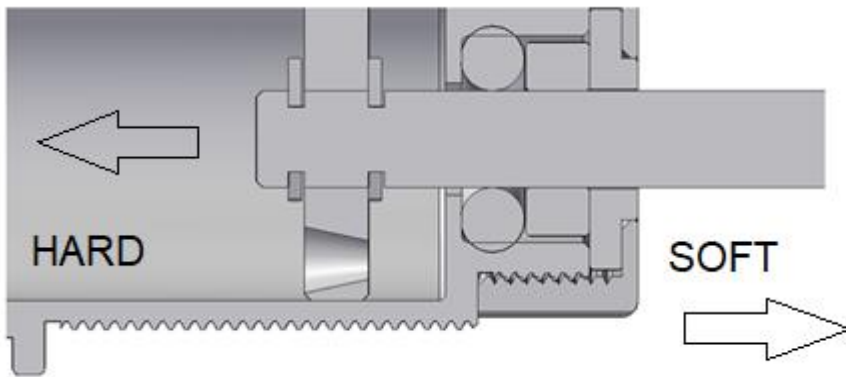
(soft) Red - Yellow - Blue - White - Black (hard)

2 - 3 - 4 Cylindrical holes \* 2- 3 - 4 Conical holes

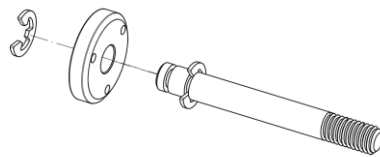
Springs supplied

Pistons supplied

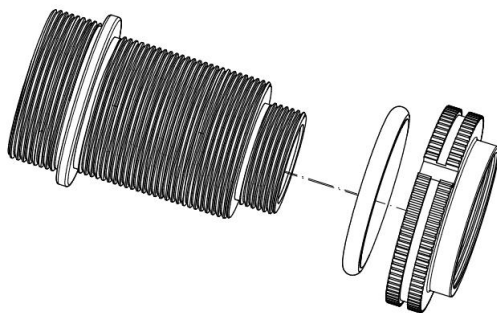
# FENIX MISTRAL 3.5



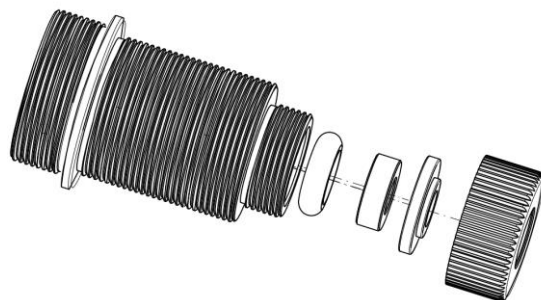
Take care when using conical pistons as shown.



Start assembling the piston . 4 holes .

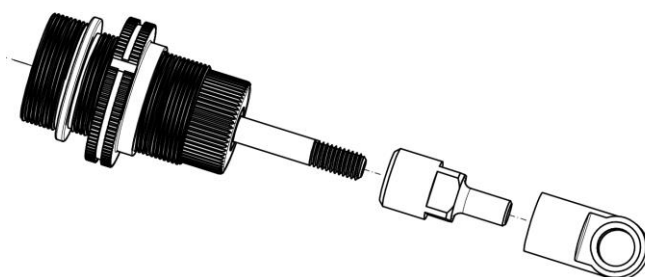


Lubricate and insert the o-ring into the setting ring.



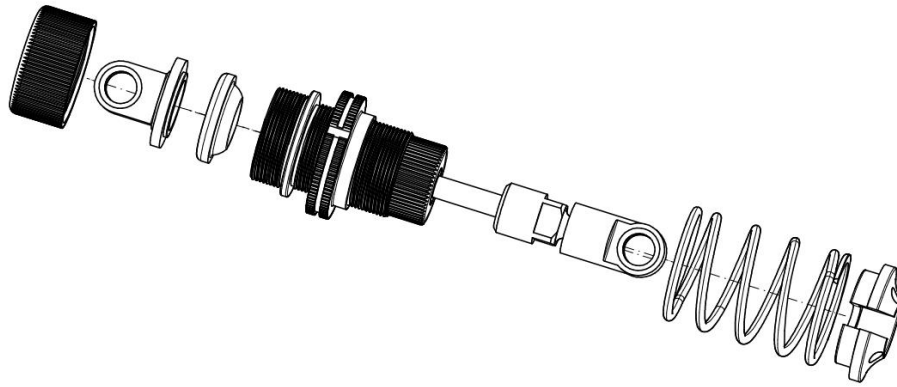
Slide the setting ring over the shock body.

Lubricate the o-ring and guide ring with shock oil or differential grease



Screw together the M20-K7 droop adjuster and the ball joint (short)

Fill the shock absorber with your favourite oil...



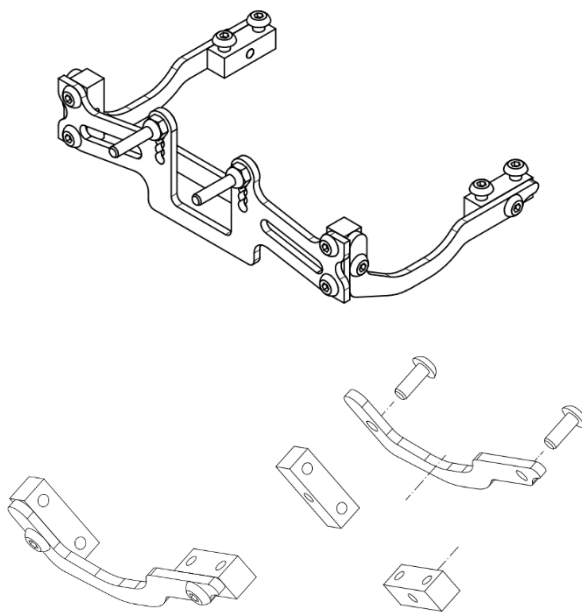
Close the shock absorber with rubber seal, ball joint and cap.

Slide the spring and spring holder in position.

Blue spring is a good starting point.

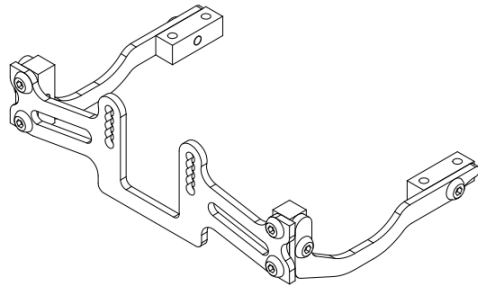
## Bag E

Wing to chassis



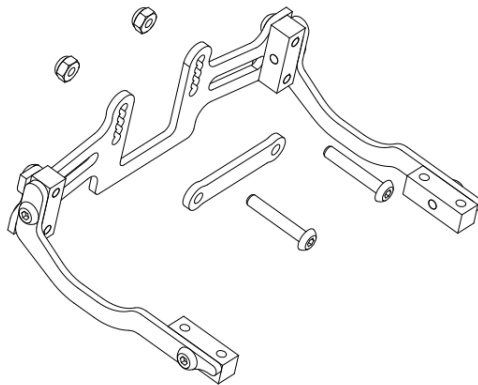
Assembly 2 mirror like shoulders using M20-8 and M20-17 joint. Use 2 x HW003 M3x8 button screw. Do not tight them fully now.

# FENIX MISTRAL 3.5

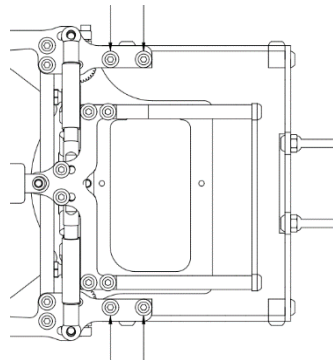


Use 4 x HW003 M3x8 button screw and assembly the M20-6 wing holder to the shoulders  
Do not tight them fully now.

**Note:** The peculiar shape of M20-8 allow most rear wing to be assembled also "inside".  
With some rear wing this is not possible



To assembly the rear wing use the HW016 M3x20 screws and the M3 Nylock nuts provided.  
We've add also an M20-11 small brace. This can provide extra safety to the M20-6.

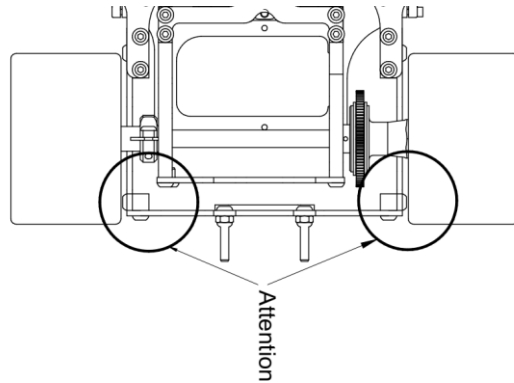


You can install the "wing to chassis" system to the Chassis, using 4 x HW003 M3x8. Now you can tight fully all the screw of the WTC

**Note:**  
Sometime is going to be more practical remove the WTC when you set the pinion/spur gear



# FENIX MISTRAL 3.5



There are far too many wheels/tires with different offset between them.

It might happen that a particular brand of tires, need to use some axle shims on the diff to avoid contact with WTC frame.

Or you can drive with the conventional wing support provided.

To fine tuning the rear end width, we suggest you:

<https://www.fenixracingshop.com/cool-items/1101-set-of-635mm-alu-shims-red.html>

For the differential assembly, please refer to the specific manual.

Sphere Differential Mk3

<https://www.fenix-racing.com/wp-content/uploads/2025/03/F1-Sphere-Diff-Mk3-v2.pdf>



Gear Diff Mk2

<https://www.fenix-racing.com/wp-content/uploads/2022/05/Gear-Diff-F1-Mk2.pdf>



Also, check our Youtube channel for differential assembly tips.

## Tech area

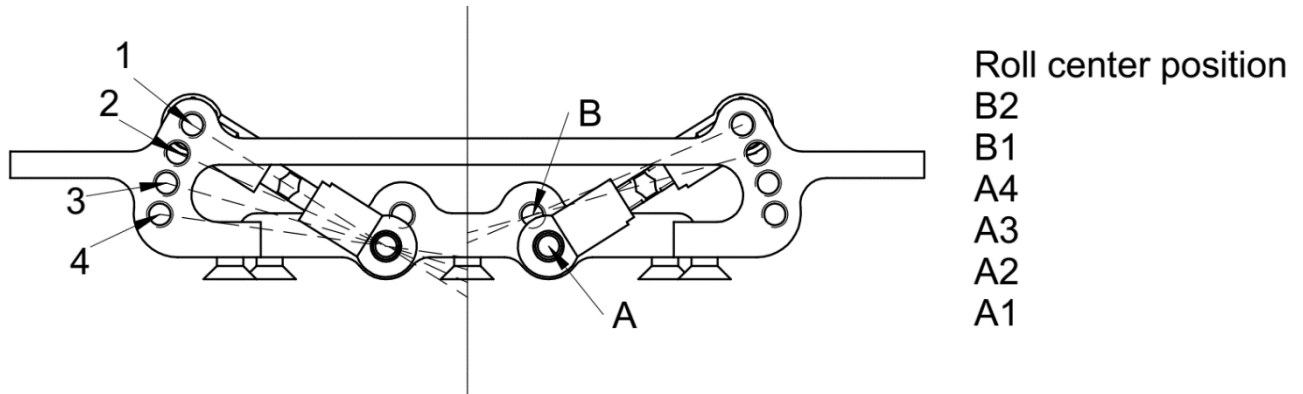
MISTRAL 3.5 represent a major breakthrough in the F1 class. Nothing comes close to this F1 model.

We've had several drivers developing the car, from Club racers to ETS A-main finalist, to F1 World Cup drivers, we'd like to thank all of them for the time and dedication they put in this project.

# FENIX MISTRAL 3.5

**Front End:** On the front end you can find an easy system to change the front track, according the tires you're using, and very user friendly system to alter camber, caster and dynamic caster.

**Rear End:** V-link we spent quite a lot of time developing this rear end, using different brand of tires, driving on ETS carpet and asphalt.



V-Link suspension has the unique ability to alter the roll centre position.

You can alter significantly the amount of rear grip by changing the roll centre position.

B2 is very much like a common pivot rear suspension.

A1 give the lowest roll centre.

Most of the time, you'll find a very comfortable setting using A2 or A3 position

Of course the 2 connection link must have the same length!!!

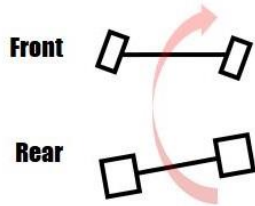
Here you can see how to set the V-link!



<https://www.youtube.com/watch?v=SEwNQcn12A0>

## Positive Inclination (front higher)

*negative bumpsteer*: the outer wheel goes into a toe-out position, hence generating more steering (a tighter turning radius)

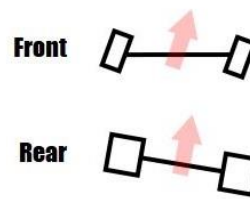


- + increase corner speed under high grip conditions
- + increase mid-corner steering

- loose rear end at corner entry under low grip conditions
- reduced traction at corner exit

## Negative Inclination (rear higher)

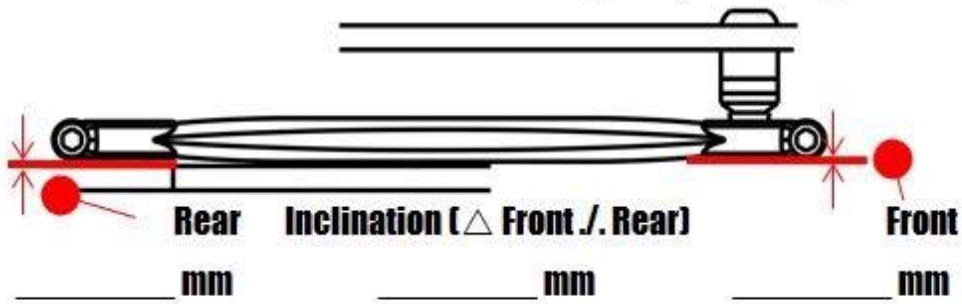
*positive bumpsteer*: the outer wheel goes into a toe-in position and stabilizes the rear end



- + increase traction under low- or medium grip conditions
- + avoid snap-oversteer

- car tends to push at corner entry
- reduced on-power steering

## Side link inclination (rear axle bumpsteer, v-link only)



*Stay in touch with us!*

Facebook

<https://www.facebook.com/FenixRacing.it>



Instagram

<https://www.instagram.com/fenixracingoriginal/>



X aka Twitter

<https://x.com/FenixracingO>



Youtube

<https://www.youtube.com/@FenixRacingYT>



Fenix-Racing

<https://www.fenix-racing.com/>



Fenix racing shop

<https://www.fenixracingshop.com/>

