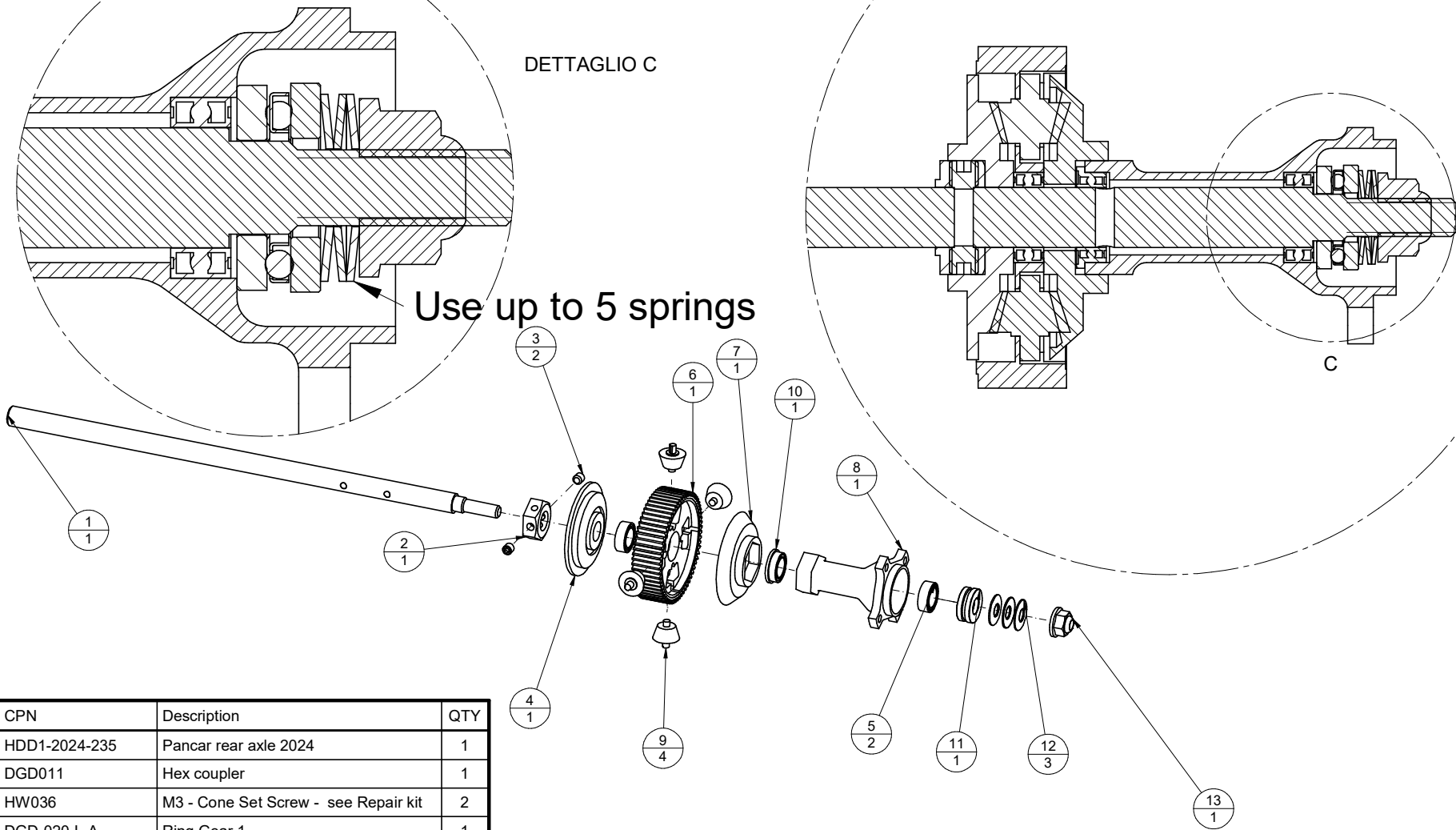


DETTAGLIO C



Pos	CPN	Description	QTY
1	HDD1-2024-235	Pancar rear axle 2024	1
2	DGD011	Hex coupler	1
3	HW036	M3 - Cone Set Screw - see Repair kit	2
4	DGD-020-L-A	Ring Gear 1	1
5	DGD023	Bearing 1/4 x 3/8 x 1/8	2
6	DGD-001-###	Spur Gear	1
7	DGD-020-L-B	Ring Gear - Light version	1
8	T1-2022-235	Left Hub Gear Diff 2022	1
9	DGD006	satellite	4
10	FX14-38	Ball Bearing Flanged 3/8"x1/4"	1
11	FX0043G	Fenix Thrust bearing	1
12	FD12-4	Diff Spring - see Repair kit	3
13	HW035	Self locking nut M4 - Flanged	1

Repair kit: DGD022-Mk3

FENIX GEAR DIFF

235mm PANCAR - MK3